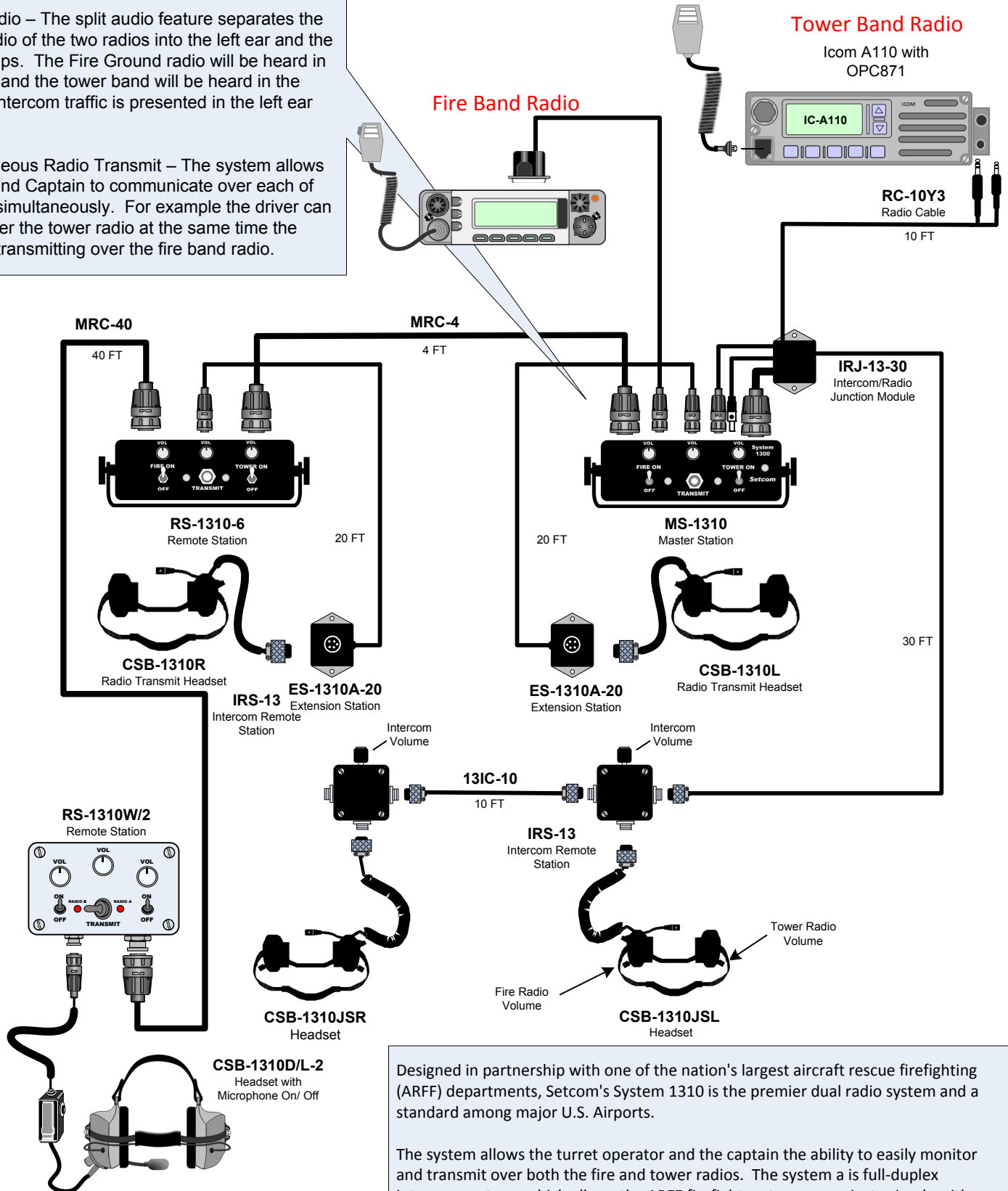


Setcom's System 1310 offers two main features that are paramount to the ARFF firefighter.

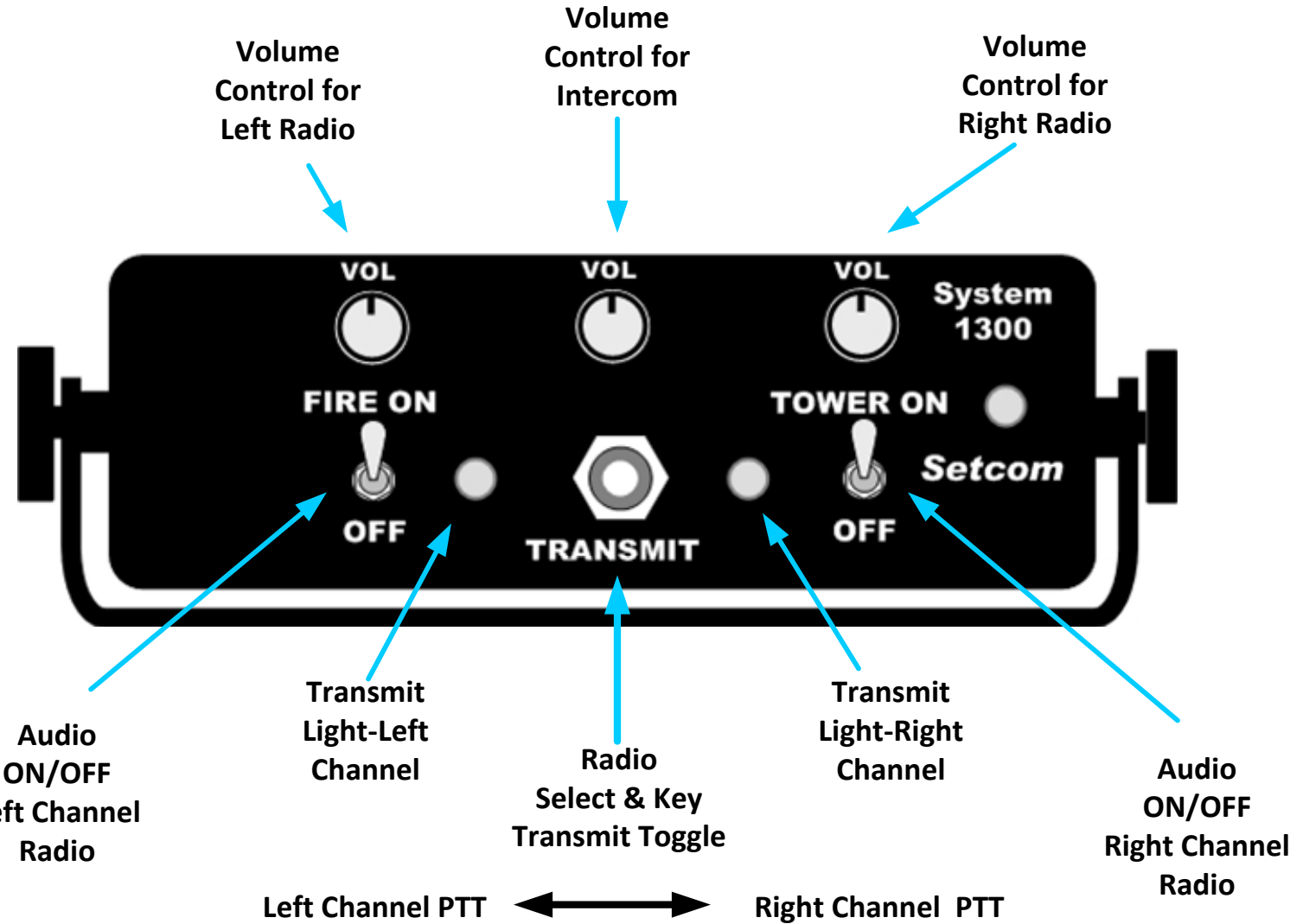
1. Split Audio – The split audio feature separates the receive audio of the two radios into the left ear and the right ear cups. The Fire Ground radio will be heard in the left ear and the tower band will be heard in the right ear. Intercom traffic is presented in the left ear cup.

2. Simultaneous Radio Transmit – The system allows the driver and Captain to communicate over each of the radios simultaneously. For example the driver can transmit over the tower radio at the same time the Captain is transmitting over the fire band radio.

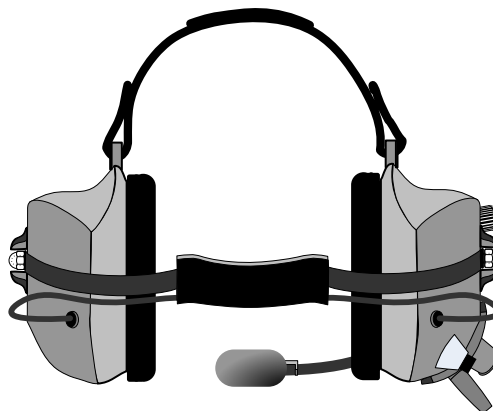


Designed in partnership with one of the nation's largest aircraft rescue firefighting (ARFF) departments, Setcom's System 1310 is the premier dual radio system and a standard among major U.S. Airports.

The system allows the turret operator and the captain the ability to easily monitor and transmit over both the fire and tower radios. The system is a full-duplex intercom system which allows the ARFF firefighters to communicate simply with their crewmembers while en route to or at the fire scene.



Fire Radio and Intercom Traffic Heard in Left Ear



Tower / Primary Radio Heard in Right Ear Only