

Item Number	Item Description	CSB-900R-1 Radio Transmit Position Right Cable Dress	CSB-900L-1 Radio Transmit Position Left Cable Dress	Qty per Assembly
1	OTH Support Strap	12-2034	12-2034	1
2	Left Ear Cup	13-1628S	13-1698NS	1
3	Stainless Headband	14-0082	14-0082	1
4	2-Conductor Speaker Cable	24-4024	24-4024	1
5	Brass Ring Clamp	12-0004	12-0004	3
6	Headband Extrusion	15-5051	15-5051	1
7	Volume Potentiometer	07-1011	07-1011	1
7-A	Internal Tooth Lock Washer	Included with 07-1011	Included with 07-1011	1
7-B	Hex Nut	Included with 07-1011	Included with 07-1011	1
8	Volume Control Knob	09-0004	09-0004	1
9	PTT Button	08-3032	08-3032	1
9-A	Cork Washer	Included with 08-3032	Included with 08-3032	1
9-B	Hex nut	Included with 08-3032	Included with 08-3032	1
10	PCB	26-3345	26-3345	1
11	Grommet	18-0006	18-0006	2
12	Nylon Washer, Black	21-5000	21-5000	2
13	Acorn Nut, Black-Oxide	21-4500	21-4500	2
14	#4 x 1/2" Phillips Screw, Black-Oxide	HDWR 5	HDWR 5	2
15	Right Ear Cup	13-1699NS	13-1611S	1
16	Inner Acoustic Pad	15-5004	15-5004	1
17	Speaker Assembly	23-5024	23-5024	2
18	#4 x 3/8" Phillips Screw	HDWR 7	HDWR 7	2
19	Outer Acoustic Pad	15-5005	15-5005	1
20	Gel Ear Pad	15-5028	15-5028	2
21	Adapter Cap Screw	21-2505	21-2505	1
22	Stabilizer Washer	12-4015	12-4015	1
23	Microphone Boom Adapter Base with VHB	14-5013VHB	14-5013VHB	1
24	2-32 x 1/4" Slotted Screw	HDWR 14	HDWR 14	1
25	Strain Relief for coil cord	18-2026	18-2026	1
26	Microphone Boom Assembly	23-1025	23-1025	1
27	Windscreen	15-5035	15-5035	1
28	Retainer Ring	16-6000	16-6000	1
29	Coil Cord	25-0700	25-0700	1
30	3/4" x 2" long Heatshrink	HIX-3/4-B	HIX-3/4-B	0.167'
31	3/8" x 1/2" long Heatshrink	HIX-3/8-B	HIX-3/8-B	0.125'
32	Black Jumper Wire	24-9030	24-9030	1.33'
33	Red Jumper Wire	24-9022	24-9022	0.67'
34	White Jumper Wire	24-9029	24-9029	0.67'

Note: Items 30-34 are not shown in the diagram.

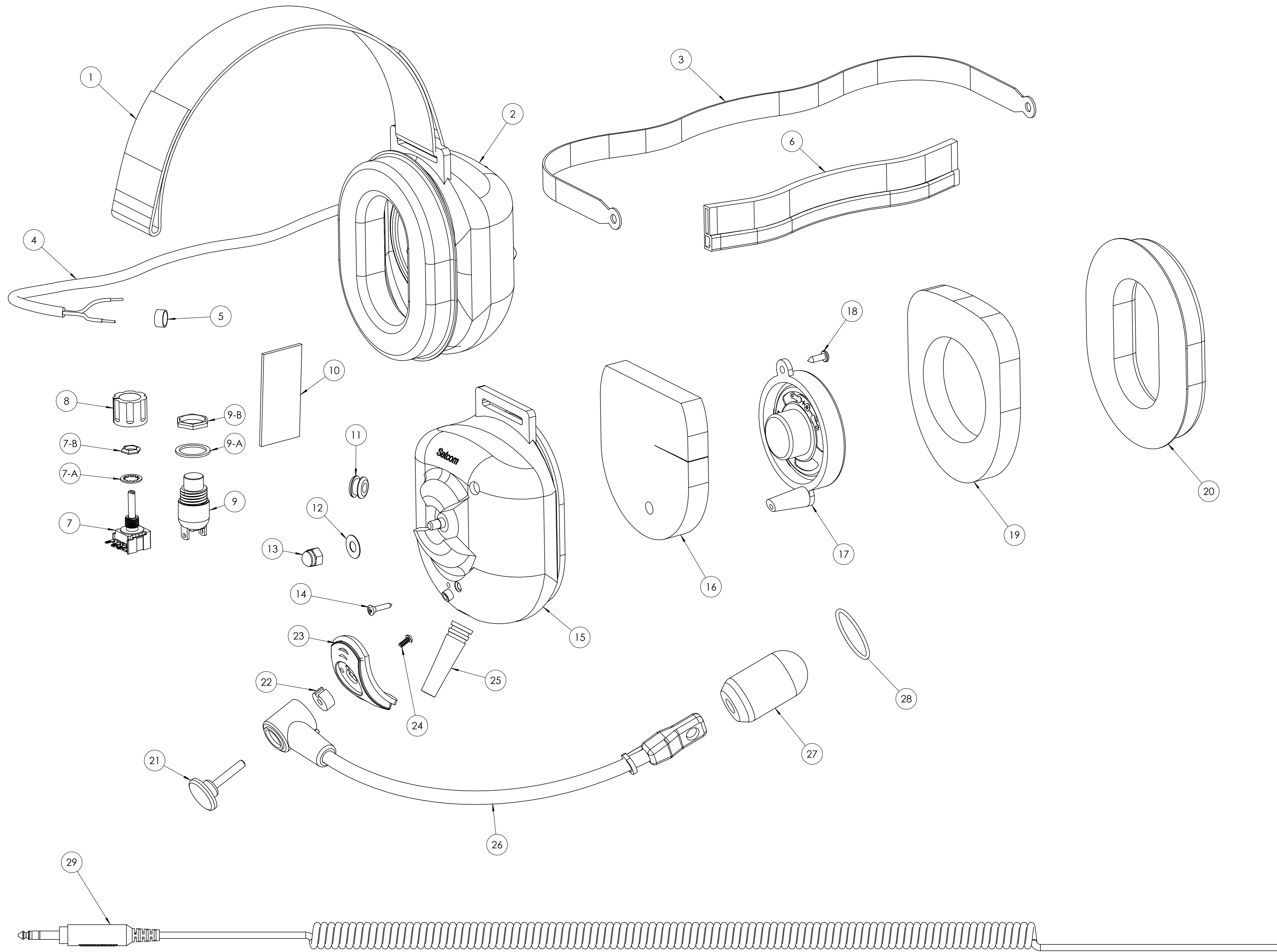
PROPRIETARY AND CONFIDENTIAL  
THE INFORMATION CONTAINED IN THIS DRAWING IS THE SOLE PROPERTY OF Setcom. ANY REPRODUCTION IN PART OR AS A WHOLE WITHOUT THE WRITTEN PERMISSION OF Setcom IS PROHIBITED.

DRAWN	NAME	DATE
CHECKED	CLB	5/20
ENG APPR:		
MFG APPR:		
G.A.		
COMMENTS:		

**Setcom**  
3019 Alvin DeVane Blvd, Suite 560  
Austin, TX 78741  
650-965-8020  
www.SetcomCorp.com

SIZE: CSB-900R-1 & CSB-900L-1  
Exploded Parts Diagram  
REV A

SCALE: N/A SHEET 1 OF 1



Item Number	Item Description	CSB-901R-1 Radio Transmit		Qty per Assembly
		Position Right Cable Dress	Position Left Cable Dress	
1	OTH Support Strap	12-2034	12-2034	1
2	Left Ear Cup	13-1628S	13-1698NS	1
3	Stainless Headband	14-0082	14-0082	1
4	2-Conductor Speaker Cable	24-4024	24-4024	1
5	Brass Ring Clamp	12-0004	12-0004	3
6	Headband Extrusion	15-5051	15-5051	1
7	Volume Potentiometer	07-1011	07-1011	1
7-A	Internal Tooth Lock Washer	Included with 07-1011	Included with 07-1011	1
7-B	Hex Nut	Included with 07-1011	Included with 07-1011	1
8	Volume Control Knob	09-0004	09-0004	1
9	PTT Button	08-3034	08-3034	1
9-A	Cork Washer	Included with 08-3034	Included with 08-3034	1
9-B	Hex nut	Included with 08-3034	Included with 08-3034	1
10	PCB	26-3346	26-3346	1
11	Grommet	18-0006	18-0006	2
12	Nylon Washer, Black	21-5000	21-5000	2
13	Acorn Nut, Black-Oxide	21-4500	21-4500	2
14	#4 x 1/2" Phillips Screw, Black-Oxide	HDWR 5	HDWR 5	2
15	Right Ear Cup	13-1699NS	13-1611S	1
16	Inner Acoustic Pad	15-5004	15-5004	1
17	Speaker Assembly	23-5024	23-5024	2
18	#4 x 3/8" Phillips Screw	HDWR 7	HDWR 7	2
19	Outer Acoustic Pad	15-5005	15-5005	1
20	Gel Ear Pad	15-5028	15-5028	2
21	Adapter Cap Screw	21-2505	21-2505	1
22	Stabilizer Washer	12-4015	12-4015	1
23	Microphone Boom Adapter Base with VHB	14-5013VHB	14-5013VHB	1
24	2-32 x 1/4" Slotted Screw	HDWR 14	HDWR 14	1
25	Strain Relief for coil cord	18-2026	18-2026	1
26	Microphone Boom Assembly	23-1025	23-1025	1
27	Windscreen	15-5035	15-5035	1
28	Retainer Ring	16-6000	16-6000	1
29	Coil Cord	25-0701	25-0701	1
30	3/4" x 2" long Heatshrink	HIX-3/4-B	HIX-3/4-B	0.167'
31	3/8" x 1/2" long Heatshrink	HIX-3/8-B	HIX-3/8-B	0.125'
32	Black Jumper Wire	24-9030	24-9030	1.33'
33	Red Jumper Wire	24-9022	24-9022	0.67'
34	White Jumper Wire	24-9029	24-9029	0.67'

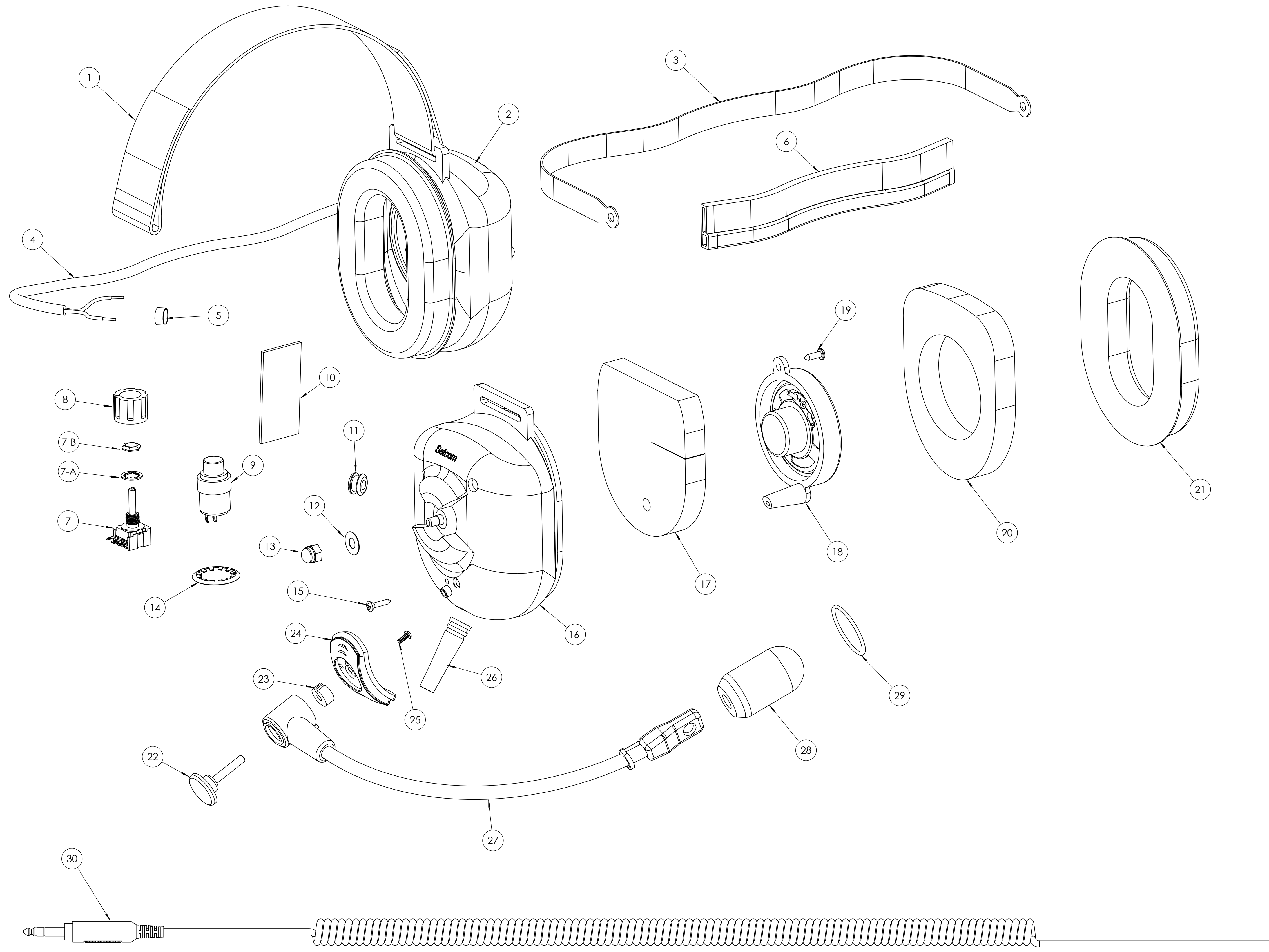
Note: Items 30-34 are not shown in the diagram.

PROPRIETARY AND CONFIDENTIAL  
 THE INFORMATION CONTAINED IN THIS DRAWING IS THE SOLE PROPERTY OF Setcom. ANY REPRODUCTION IN PART OR AS A WHOLE WITHOUT THE WRITTEN PERMISSION OF Setcom IS PROHIBITED.

DRAWN	NAME	DATE
CHECKED	CLB	5/20
ENG APPR.		
MFG APPR.		
G.A.		
COMMENTS:		

**Setcom**  
 3019 Alvin DeVane Blvd, Suite 560  
 Austin, TX 78741  
 650-965-8020  
 www.SetcomCorp.com

SIZE: CSB-901R-1 & CSB-901L-1  
 D Exploded Parts Diagram  
 SCALE: N/A SHEET 1 OF 1



Item Number	Item Description	CSB-901R-8 Intercom Position Right Cable Dress		CSB-901L-81 Intercom Position Left Cable Dress		Qty per Assembly
1	OTH Support Strap	12-2034	12-2034			1
2	Left Ear Cup	13-1628S	23-7205			1
3	Stainless Headband	14-0082	14-0082			1
4	2-Conductor Speaker Cable	24-4024	24-4024			1
5	Brass Ring Clamp	12-0004	12-0004			3
6	Headband Extrusion	15-5051	15-5051			1
7	Volume Potentiometer	07-1011	07-1011			1
7-A	Internal Tooth Lock Washer	Included with 07-1011	Included with 07-1011			1
7-B	Hex Nut	Included with 07-1011	Included with 07-1011			1
8	Volume Control Knob	09-0004	09-0004			1
9	Push ON - Push OFF Button	08-3047 Included with 23-7206	08-3047 Included with 23-7205			1
10	PCB	26-3346	26-3346			1
11	Grommet	18-0006	18-0006			2
12	Nylon Washer, Black	21-5000	21-5000			2
13	Acorn Nut, Black-Oxide	21-4500	21-4500			2
14	Internal Tooth Lock Washer	HDWR 47 Included with 23-7206	HDWR 47 Included with 23-7205			1
15	#4 x 1/2" Phillips Screw, Black-Oxide	HDWR 5	HDWR 5			2
16	Right Ear Cup	13-1681NS	13-1611S			1
17	Inner Acoustic Pad	15-5004	15-5004			1
18	Speaker Assembly	23-5024	23-5024			2
19	#4 x 3/8" Phillips Screw	HDWR 7	HDWR 7			2
20	Outer Acoustic Pad	15-5005	15-5005			1
21	Gel Ear Pad	15-5028	15-5028			2
22	Adapter Cap Screw	21-2505	21-2505			1
23	Stabilizer Washer	12-4015	12-4015			1
24	Microphone Boom Adapter Base with VHB	14-5013VHB	14-5013VHB			1
25	2-32 x 1/4" Slotted Screw	HDWR 14	HDWR 14			1
26	Strain Relief for coil cord	18-2026	18-2026			1
27	Microphone Boom Assembly	23-1025	23-1025			1
28	Windscreen	15-5035	15-5035			1
29	Retainer Ring	16-6000	16-6000			1
30	Coil Cord	25-0701	25-0701			1
31	3/4" x 2" long Heatshrink	HIX-3/4-B	HIX-3/4-B			0.167'
32	3/8" x 1/2" long Heatshrink	HIX-3/8-B	HIX-3/8-B			0.125'
33	Black Jumper Wire	24-9030	24-9030			1.33'
34	Red Jumper Wire	24-9022	24-9022			0.67'
35	White Jumper Wire	24-9029	24-9029			0.67'

Note: Items 31-35 are not shown in the diagram.

PROPRIETARY AND CONFIDENTIAL  
 THE INFORMATION CONTAINED IN THIS DRAWING IS THE SOLE PROPERTY OF Setcom. ANY REPRODUCTION IN PART OR AS A WHOLE WITHOUT THE WRITTEN PERMISSION OF Setcom IS PROHIBITED.

DRAWN	NAME	DATE
CHECKED	CLB	5/20
ENG APPR.		
MFG APPR.		
G.A.		
COMMENTS:		

**Setcom**  
 3019 Alvin DeVane Blvd, Suite 560  
 Austin, TX 78741  
 650-965-8020  
 www.SetcomCorp.com

SIZE: CSB-901R-8 & CSB-901L-8  
 D Exploded Parts  
 Diagram  
 SCALE: N/A SHEET 1 OF 1