

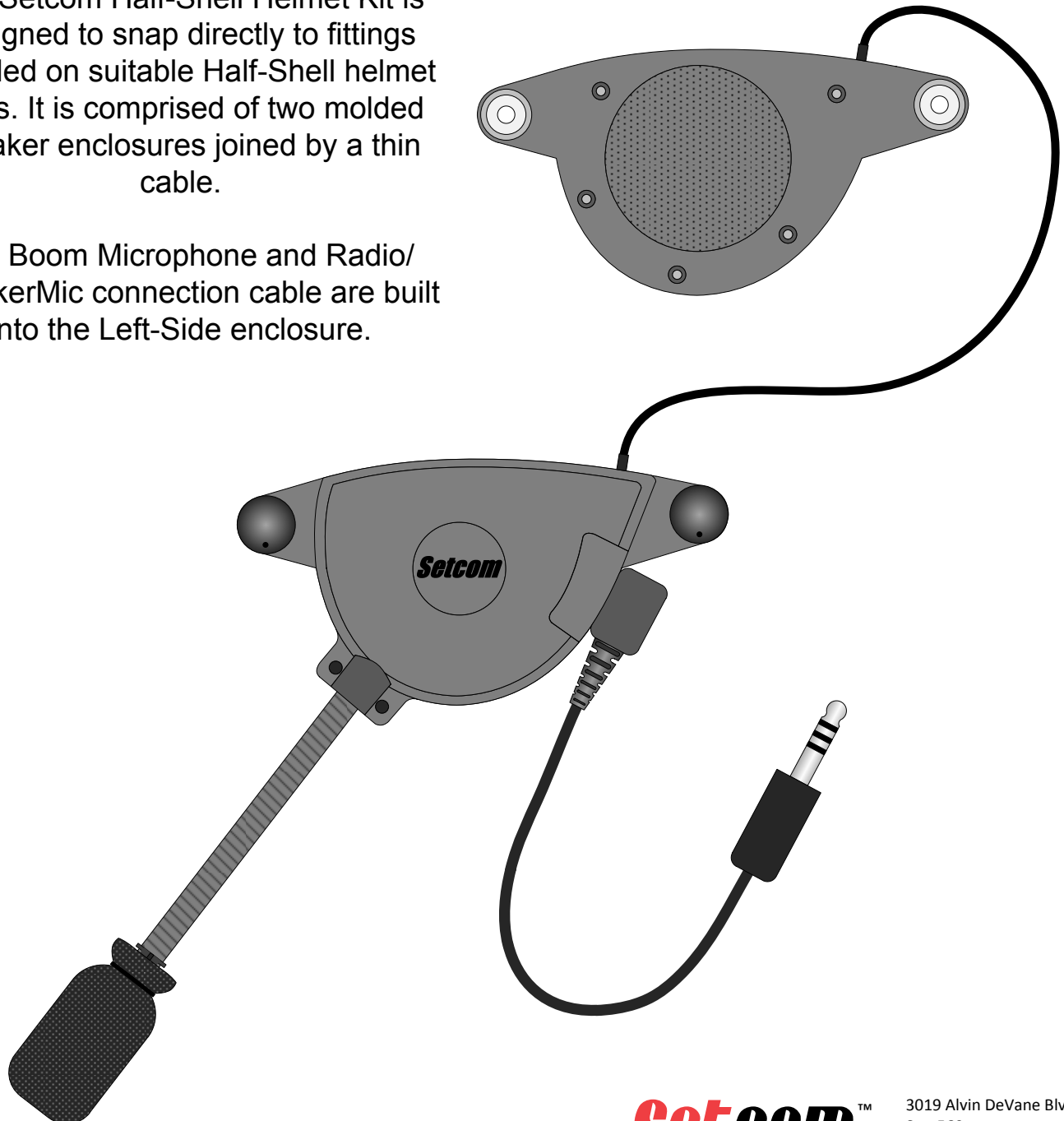
# Installation Instructions for Setcom Half-Shell Helmet Headset Kit

For use with Helmets having pre-installed Snap Fittings

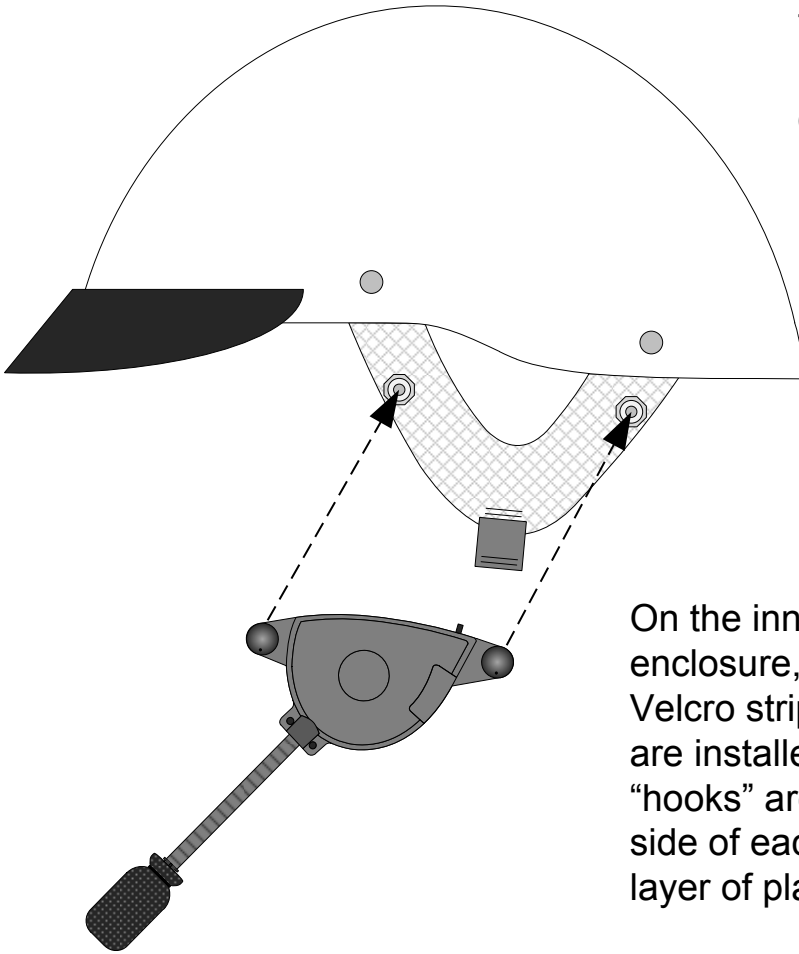
(For Example: Seer S1608V)

The Setcom Half-Shell Helmet Kit is designed to snap directly to fittings installed on suitable Half-Shell helmet types. It is comprised of two molded speaker enclosures joined by a thin cable.

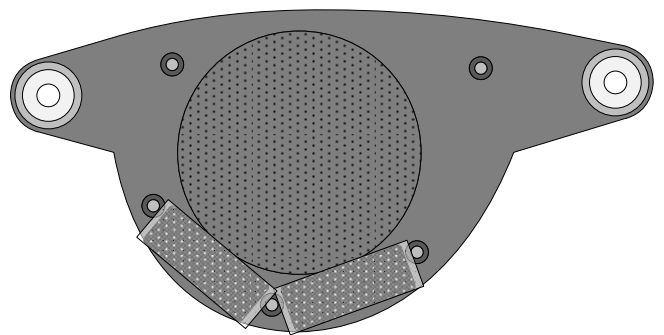
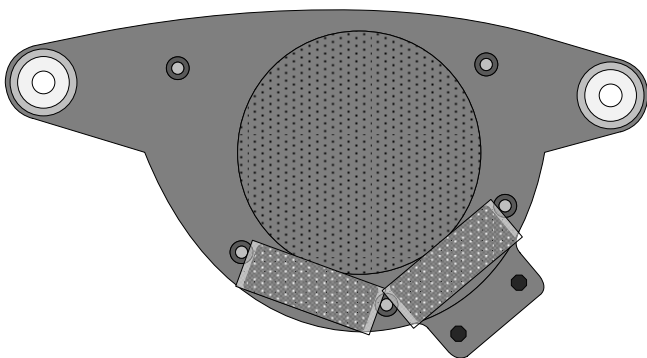
The Boom Microphone and Radio/ SpeakerMic connection cable are built into the Left-Side enclosure.



The illustration at left shows how the Helmet Kit speaker enclosures fit onto the Helmet Chin Strap



On the inner side of each plastic speaker enclosure, note that there are two sets of Velcro strips already in place – the “loops” are installed on the enclosures and the “hooks” are fastened to the “loops”. The outer side of each “hook” strip has a protective layer of plastic tape. See below:

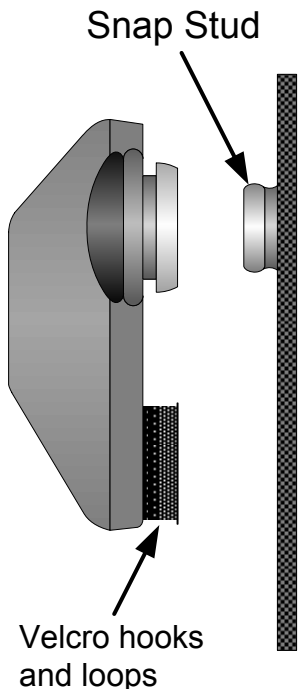
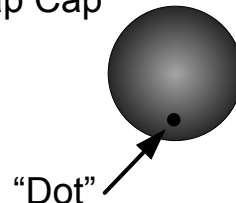


Leave the protective tape in place until instructed to remove it.

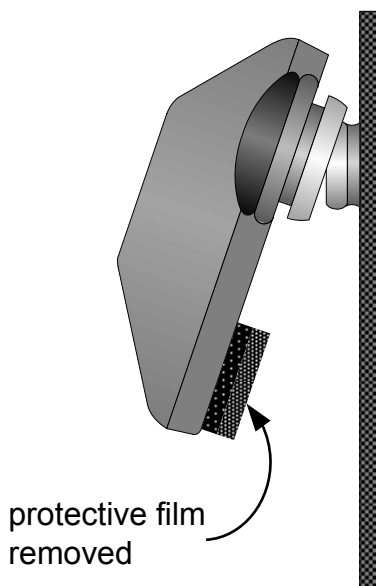
### Installation Step1:

The Helmet Kit speaker enclosures fit onto the Snap Studs installed on the Helmet chin strap. Starting with the Left-Side enclosure, follow the illustrations below. Note that the Snap Caps have a “dot” (dimple) on the lower edge. Repeat the process with the Right-Side enclosure.

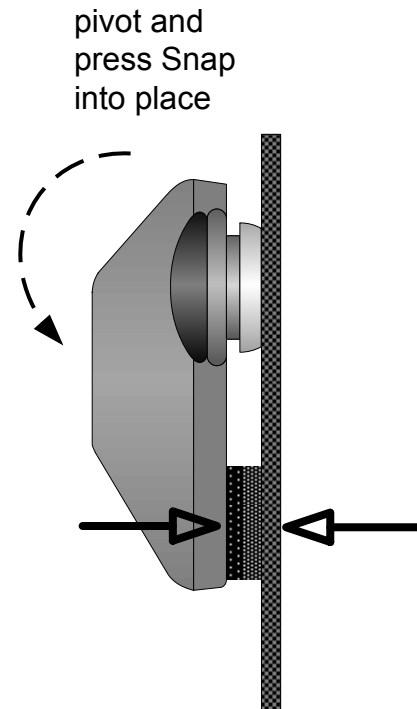
Snap Cap



A) Locate the Snap Studs on the Helmet Chin Strap. Remove the protective plastic film from the Velcro “hook” strips to expose the adhesive backing.



B) Position the enclosure as shown above, so the tops of the Snap Caps are partly engaged on the Snap Studs.



C) Pivot the enclosure downwards and press the Snap Caps into place on the Snap Studs. Next press the Velcro “hook” strips firmly in place to allow the adhesive to stick to the Chin Strap.

#### **IMPORTANT NOTE:**

**Be sure the Velcro has fully adhered to the Chin Straps during installation – this prevents outward movement of the speaker enclosures during periods of high-speed motorcycle operation.**

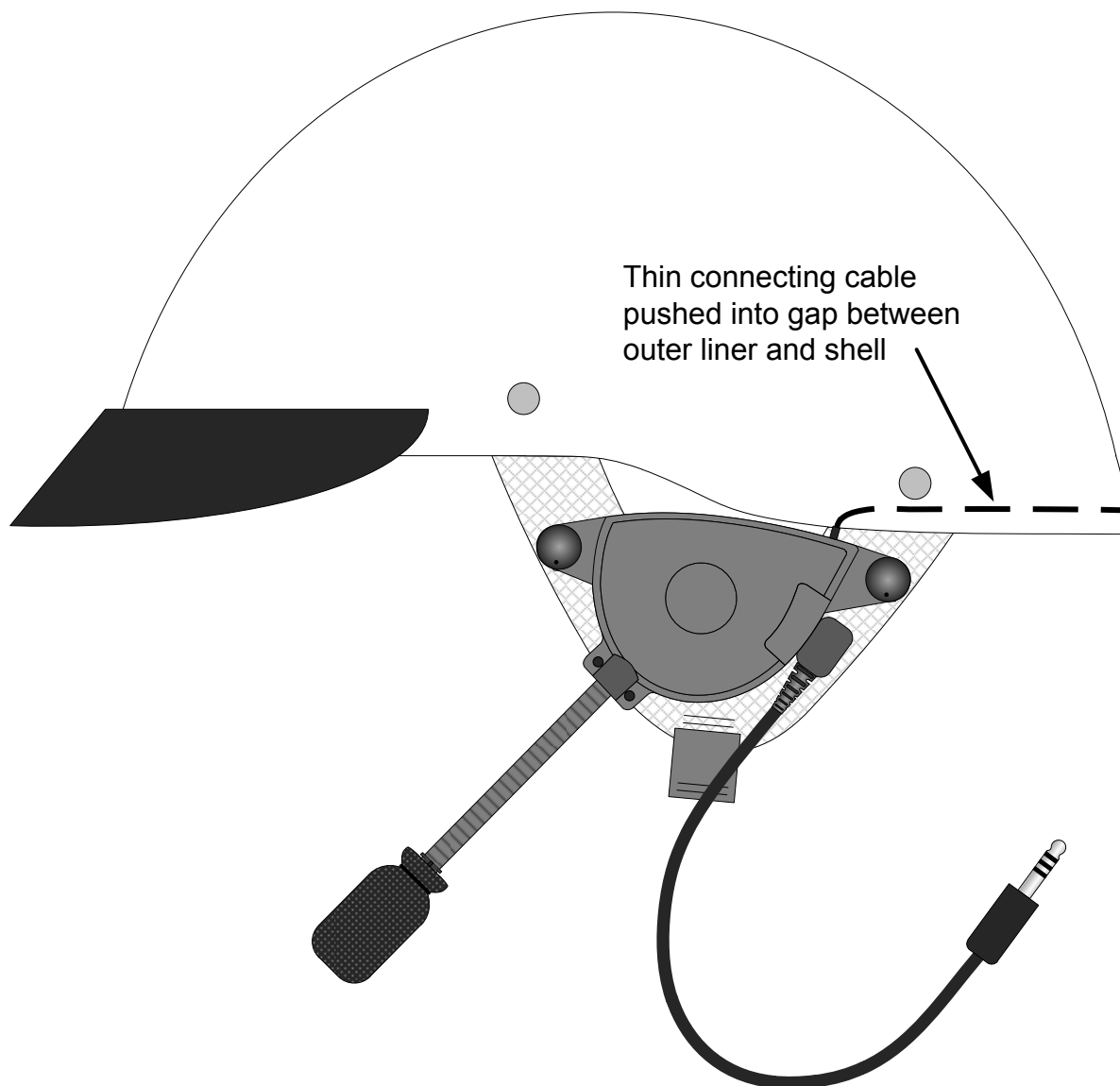
**Setcom**™  
CORPORATION

3019 Alvin DeVane Blvd.  
Ste. 560  
Austin, TX 78741  
Phone: (650) 965-8020

**Installation Step2:**

After installing both of the speaker enclosures, use a blunt-tipped tool (thin popsicle stick or the end of a cotton swab with the cotton cut off) to push the thin cable connecting the enclosures down into the gap between the outer liner and shell of the helmet.

This completes the installation, the Helmet Kit is ready for operation.

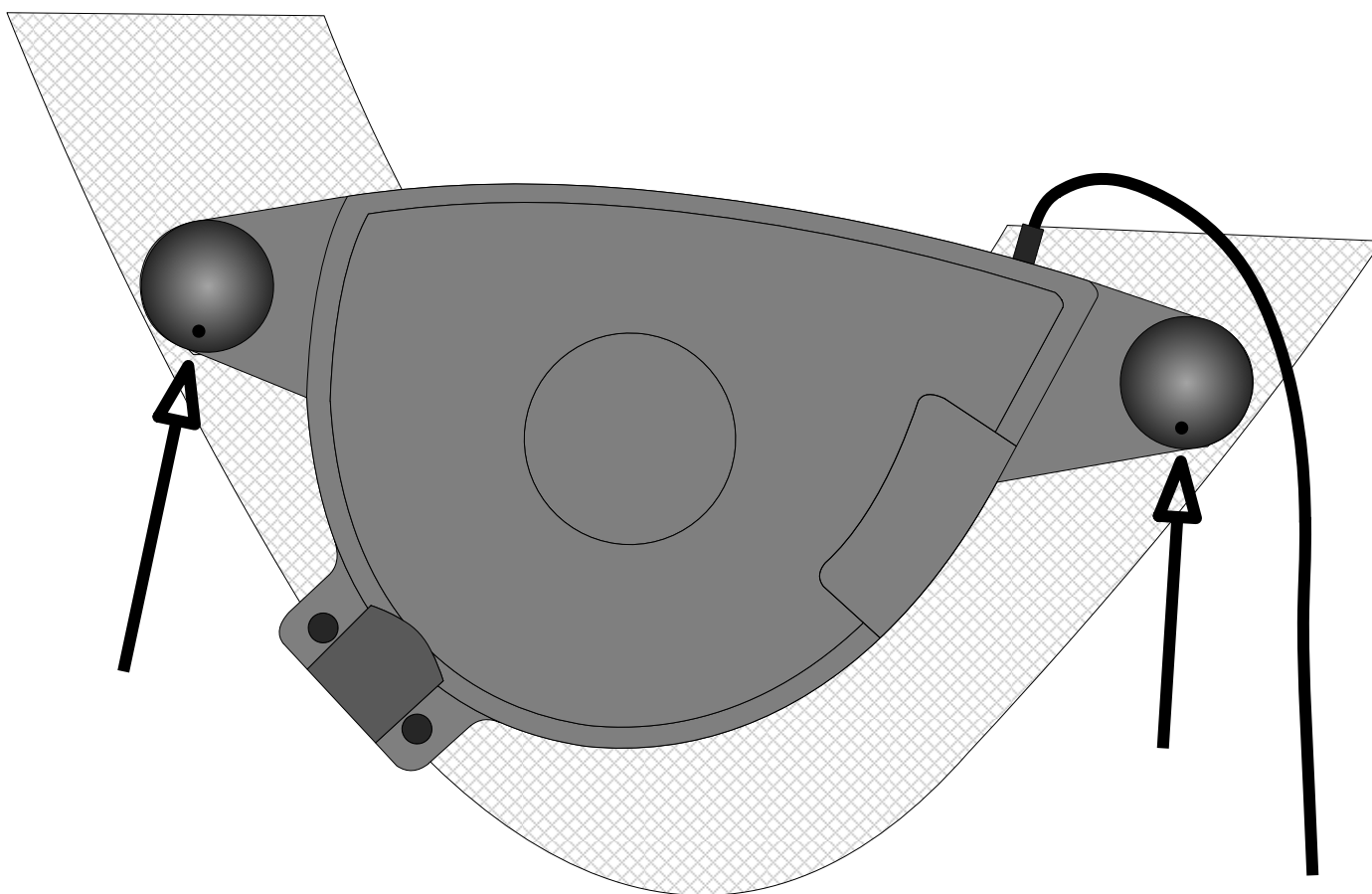


### Removing Helmet Kit from Helmet:

To remove Helmet Kit from Helmet, first gently pull the thin connecting cable out from between the Helmet outer liner and shell. Allow it to hang free.

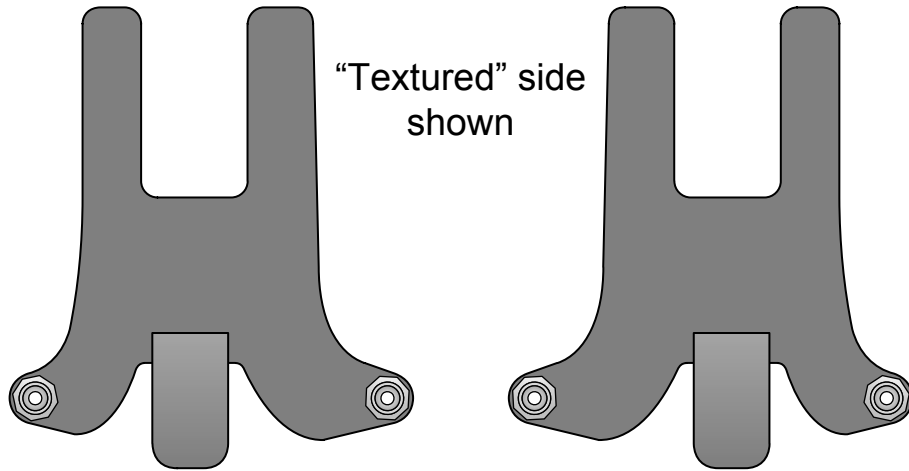
Next, remove the speaker enclosures by prying apart the Snap fittings –

These fittings are designed to be separated at the points indicated by the arrows in the illustration below, the “dots” on the caps show where to pull apart the Snap Caps and the Snap Studs on the Chin Straps – only pull them apart from these points.



# Instructions for Installing Slide-In Snap Plates for Setcom Half-Shell Helmet Kits

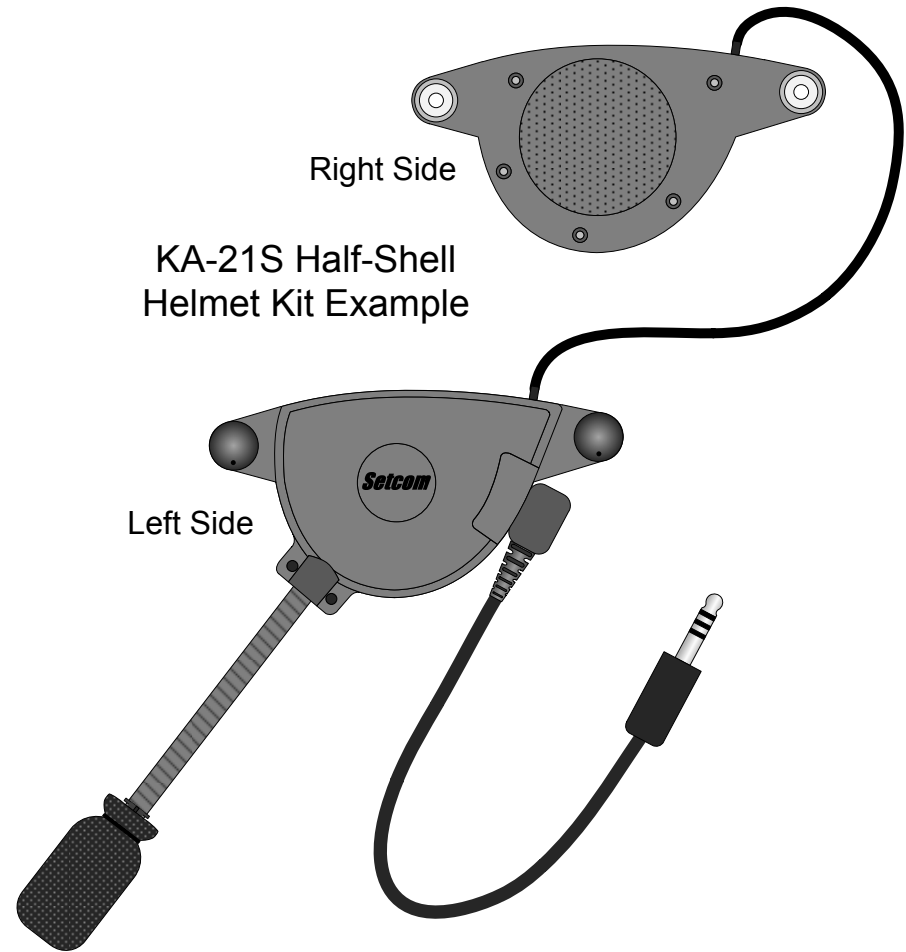
Setcom Part numbers 13-1112L (Left) and 13-1112R (Right)



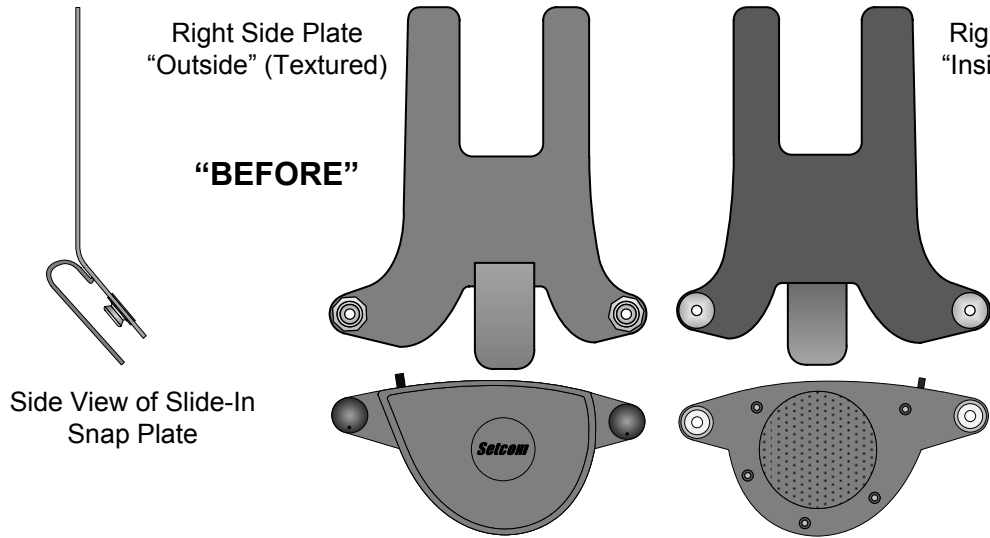
Left Side Plate  
13-1112L

Right Side Plate  
13-1112R

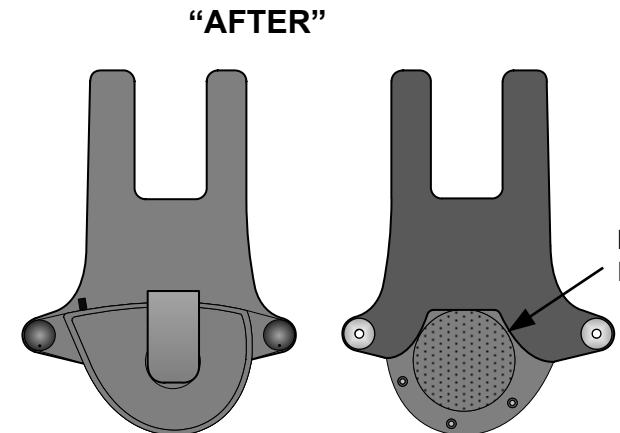
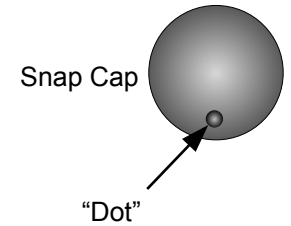
The slide-in Snap Plates are designed to provide a means of mounting the Half-Shell Helmet kit on those helmets which do not have snaps pre-installed on the straps.



# Step 1: Install Helmet Kit Enclosure(s) on Slide-in Snap Plate(s).

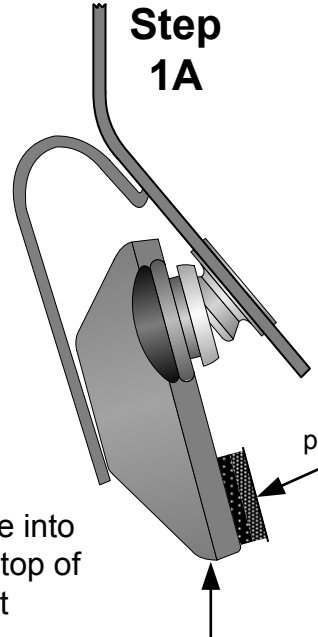


Note that the Snap Caps on the speaker enclosures have a "dot" (dimple) on the lower edge. This should be pressed in place last when installing, and the caps should be pulled from this side when removing.

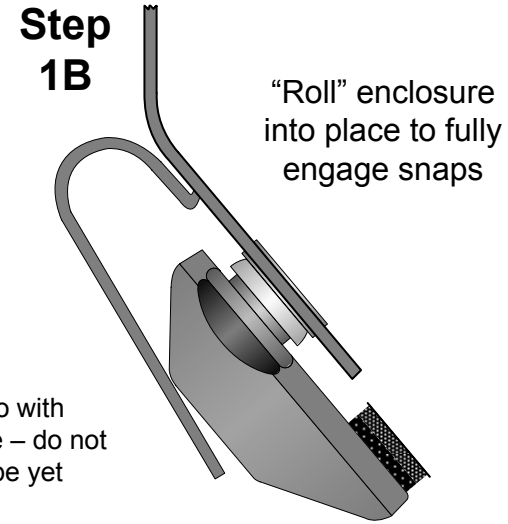


Gently bend tab outwards to position speaker enclosure

Note all speaker holes are visible



Note Velcro with protective tape – do not remove tape yet



Left side Speaker Enclosure is installed onto Left Side Plate the same way the Right Side parts have been assembled

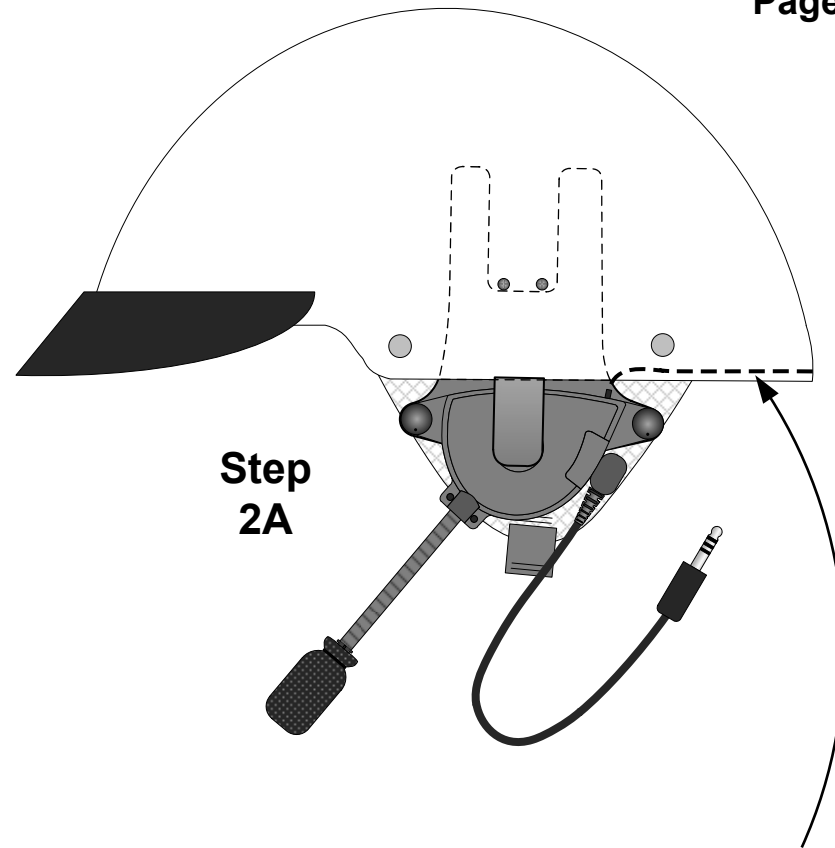
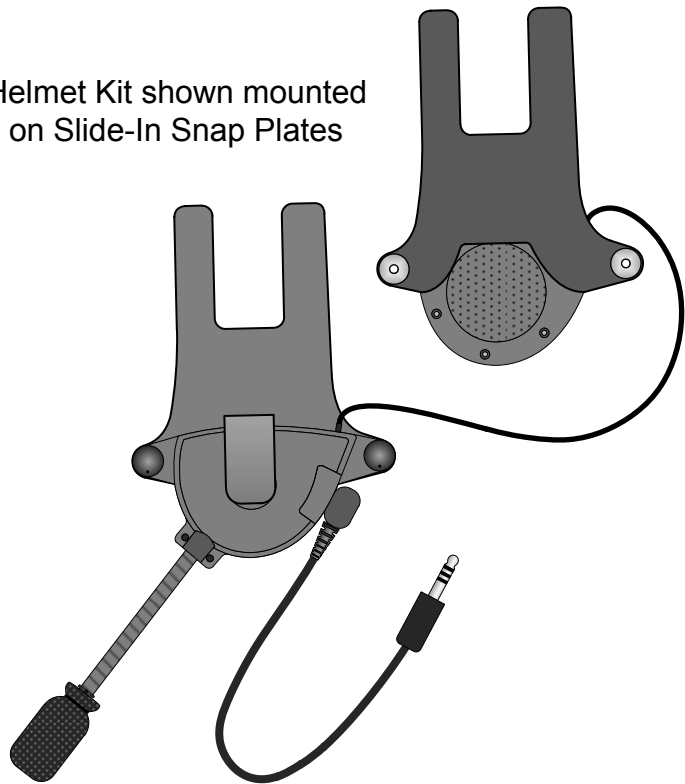
Right Speaker Enclosure



3019 Alvin DeVane Blvd.  
Ste. 560  
Austin, TX 78741  
Phone: (650) 965-8020

Step 2: Slide Snap Plate(s) into Helmet, between outer shell of Helmet and outside of liner. A front-to-back rocking motion helps the Plate slide into place. Use attached Velcro to help secure speaker enclosures to Helmet strap.

Helmet Kit shown mounted on Slide-In Snap Plates



Step 2A

Using thin popsicle stick or blunt end of wooden cotton swab or other suitable tool, carefully push cable into gap between Helmet outer shell and liner

Step 2B

Remove protective tape from Velcro after installing Slides into Helmet, then press Velcro firmly against Helmet Straps to secure



3019 Alvin DeVane Blvd.  
Ste. 560  
Austin, TX 78741  
Phone: (650) 965-8020