

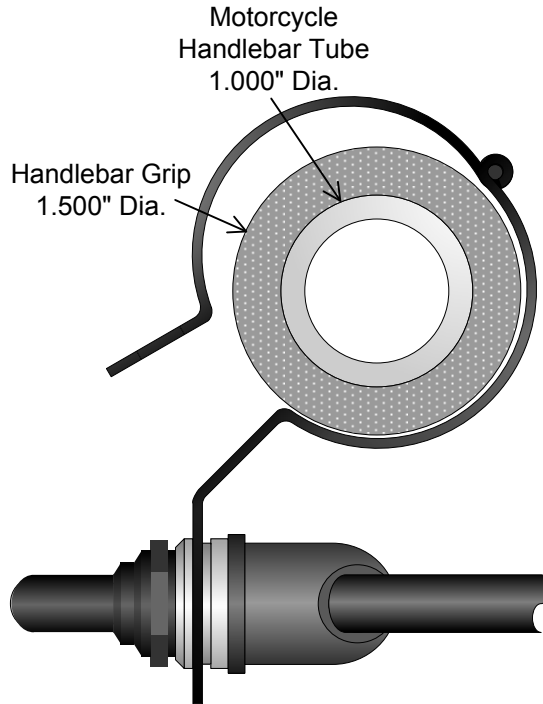
Confidential and proprietary to Setcom™ Corporation, This Setcom™ schematic and design is the exclusive property of Setcom, and is provided only for evaluation purposes. Further distribution or disclosure is strictly prohibited. Use of this schematic and design for any purpose other than evaluation requires a technology license agreement with Setcom™. Setcom™ makes no representation or warranties of any kind regarding this schematic and design, including, not limited to, any implied warranty of merchantability for any consequences resulting from use of the information included herein.  
Setcom™ Corporation 2012

9/19	NDH	A	Initial Release
Date M/Y	By	Rev.	Revision Description
NDH	9/17/12		 3019 Alvin DeVane Blvd. Ste. 560 Austin, TX 78741 Phone: (650) 965-8020
SBH	9/19/12		
Manf. Approval		Date	Description
			14-0037 Installation Guide
Rev. A	Page 1 of 2	Dwg. #	14-0037_Install

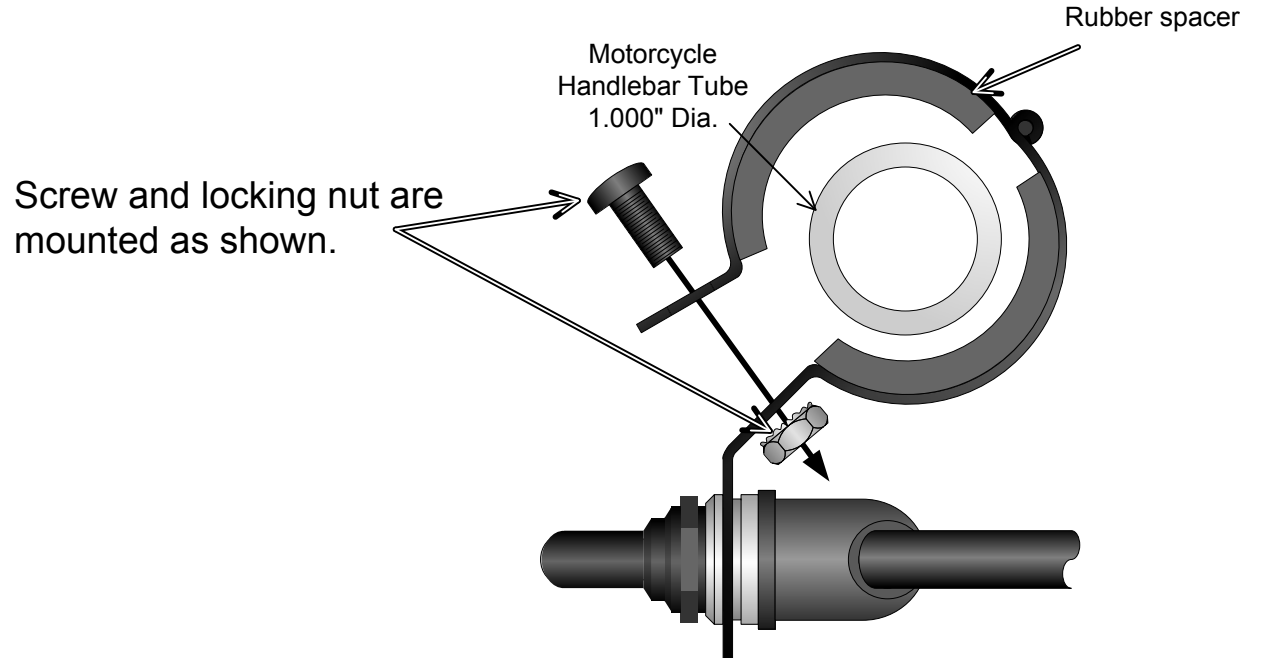
# Universal Bracket PTT Installation Guide

# Installation Instructions

Wrap the universal bracket around the handlebar at its installation point. The universal bracket can be installed over either a handlebar grip or bare metal.



If the mounting point on the handlebar is too small to securely hold the bracket, use superglue or Pliobond to mount as many rubber spacers as are needed on the inside of the bracket to secure it to the mounting point.



Drawn by: NDH 9/17/12	Date	<b>Setcom</b> ™ CORPORATION	3019 Alvin DeVane Blvd. Ste. 560 Austin, TX 78741 Phone: (650) 965-8020
Eng. Approval SBH 9/19/12	Date		
Manf. Approval	Date	Description 14-0037 Installation Guide	
Rev. A	Page 2 of 2	Dwg. #	14-0037_Install