

# MS-1350 Master Station

## USERS GUIDE

The MS-1350 is a Radio Interface and Full-Duplex Intercom with the following features:

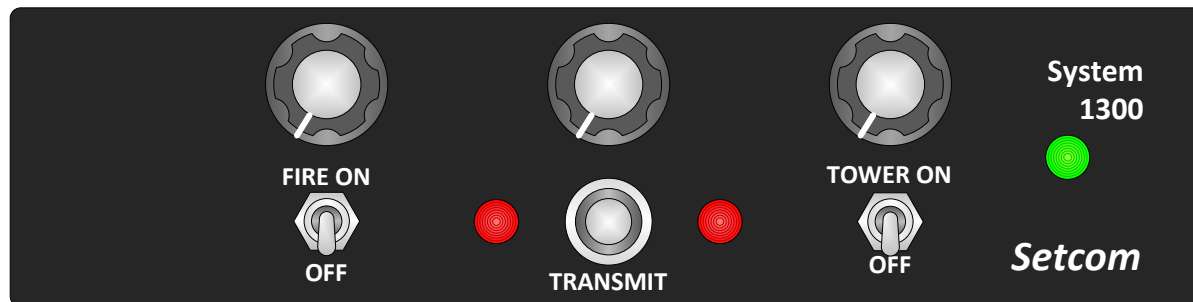
- 2 Radio Interface Ports, Fully Adjustable RX/TX levels, for use with various radio cable types
- Master Station has 1 Radio Transmit Circuit which can transmit over Fire or Tower Radio
- Master Station has 1 Intercom Circuit, Intercom is always on, headset volume is adjustable
- Split Audio: Fire Radio and Intercom Audio are heard in Left Headset Speaker, Tower Radio is heard in Right Headset Speaker
- MS-1350 uses a front panel momentary toggle switch for radio PTT
- MS-1350B uses a locking toggle switch to select a radio, PTT is accomplished with foot switches
- MS-1350X has a momentary toggle for PTT and can alternately use foot switches
- Audio Outputs for recording Intercom and Radio RX are provided, requires a 25-5080 Cable
- Supports simultaneous transmit on 2 radios (when used with a Remote Station)
- Multiple additional system components can be connected using the 18-pin Accessory connectors on the back panel of the unit.

Questions or technical issues? Please call:

**TECH SUPPORT: 650-965-8020 ext. 703**

**Setcom**<sup>®</sup>  
CORPORATION

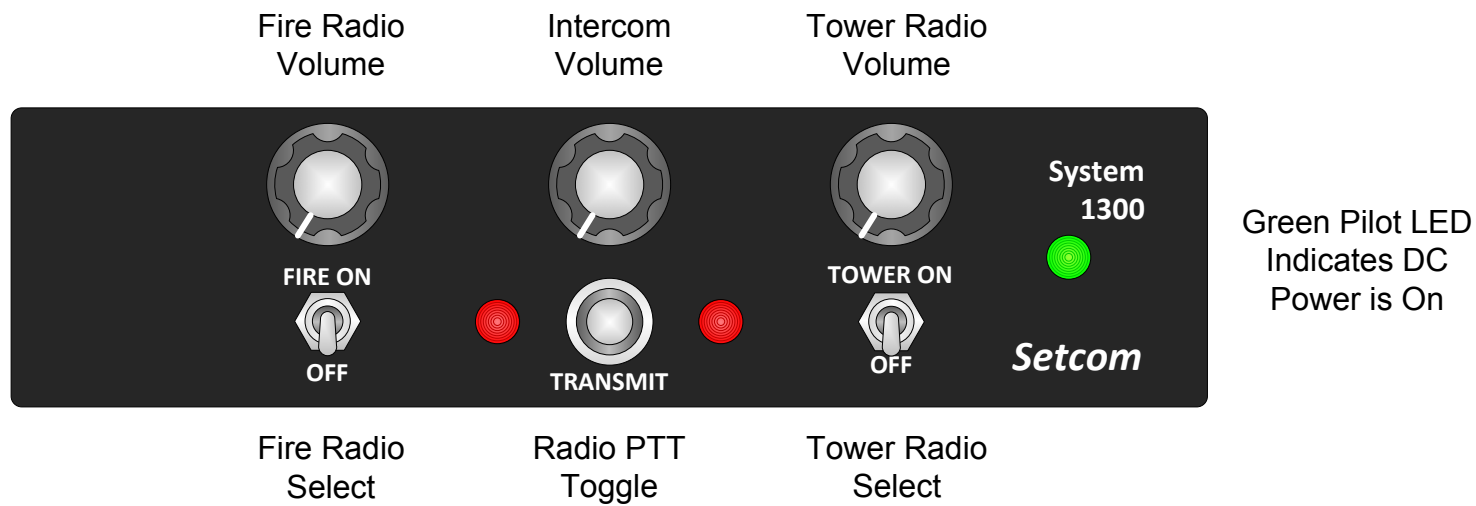
3019 Alvin DeVane Blvd.  
Ste. 560  
Austin, TX 78741  
Phone: (650) 965-8020



## MS-1350 Front Panel

### Operating Controls

Fire Radio, Tower Radio, and Intercom volume controls set volume of each audio feed in the headset speakers



Fire Radio and Tower Radio Select switches turn RX audio from the radios On or Off, and disables PTT to the radios when Off.

The Radio PTT Toggle switch selects the radio to transmit over, keys the selected radio for transmit, and directs audio from the headset to the selected radio mic input. When a radio is keyed for transmit, the Red LED for that radio will light.

Intercom audio is still present during transmit.

*Questions or technical issues? Please call:*

**TECH SUPPORT: 650-965-8020 ext. 703**

**Setcom**<sup>®</sup>  
CORPORATION

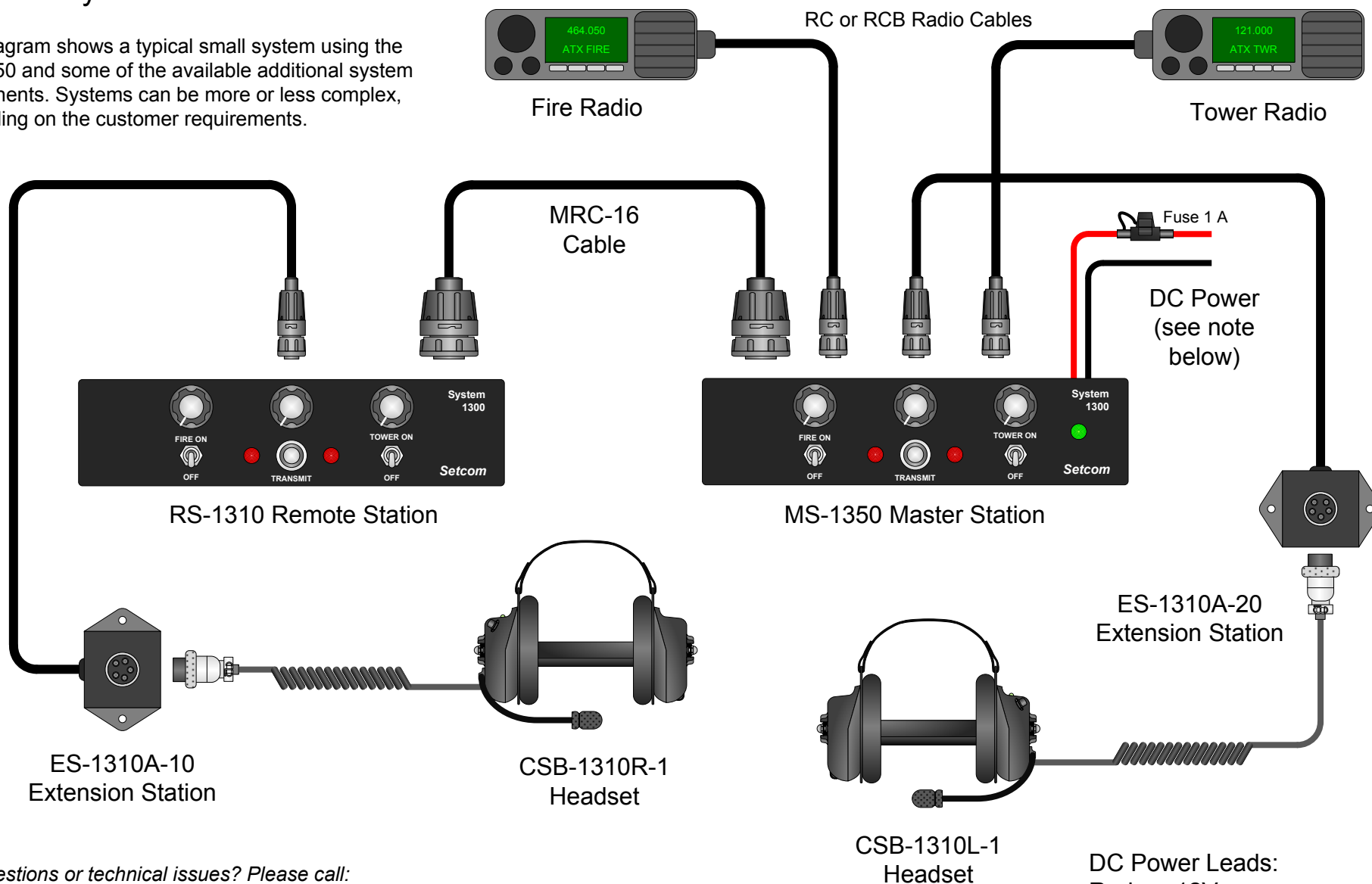
3019 Alvin DeVane Blvd.  
Ste. 560  
Austin, TX 78741  
Phone: (650) 965-8020

# MS-1350

## Typical System

This diagram shows a typical small system using the MS-1350 and some of the available additional system components. Systems can be more or less complex, depending on the customer requirements.

Radio Cable part number is determined by radio manufacturer, model number, and length of cable.



Questions or technical issues? Please call:  
**TECH SUPPORT: 650-965-8020 ext. 703**



3019 Alvin DeVane Blvd.  
Ste. 560  
Austin, TX 78741  
Phone: (650) 965-8020

This diagram shows a system with 2 radio transmit stations. Additional transmit or intercom-only stations can be added as needed.

DC Power Leads:  
Red = +12V  
Black = Ground  
Uses 1 A ATOF Type Fuse  
(in Red Lead)

# MS-1350 Adjustments

## RX and TX Audio

RX Audio level is normally set by the volume control on the Fire and Tower radios, and the front panel volume controls of the MS-1350.

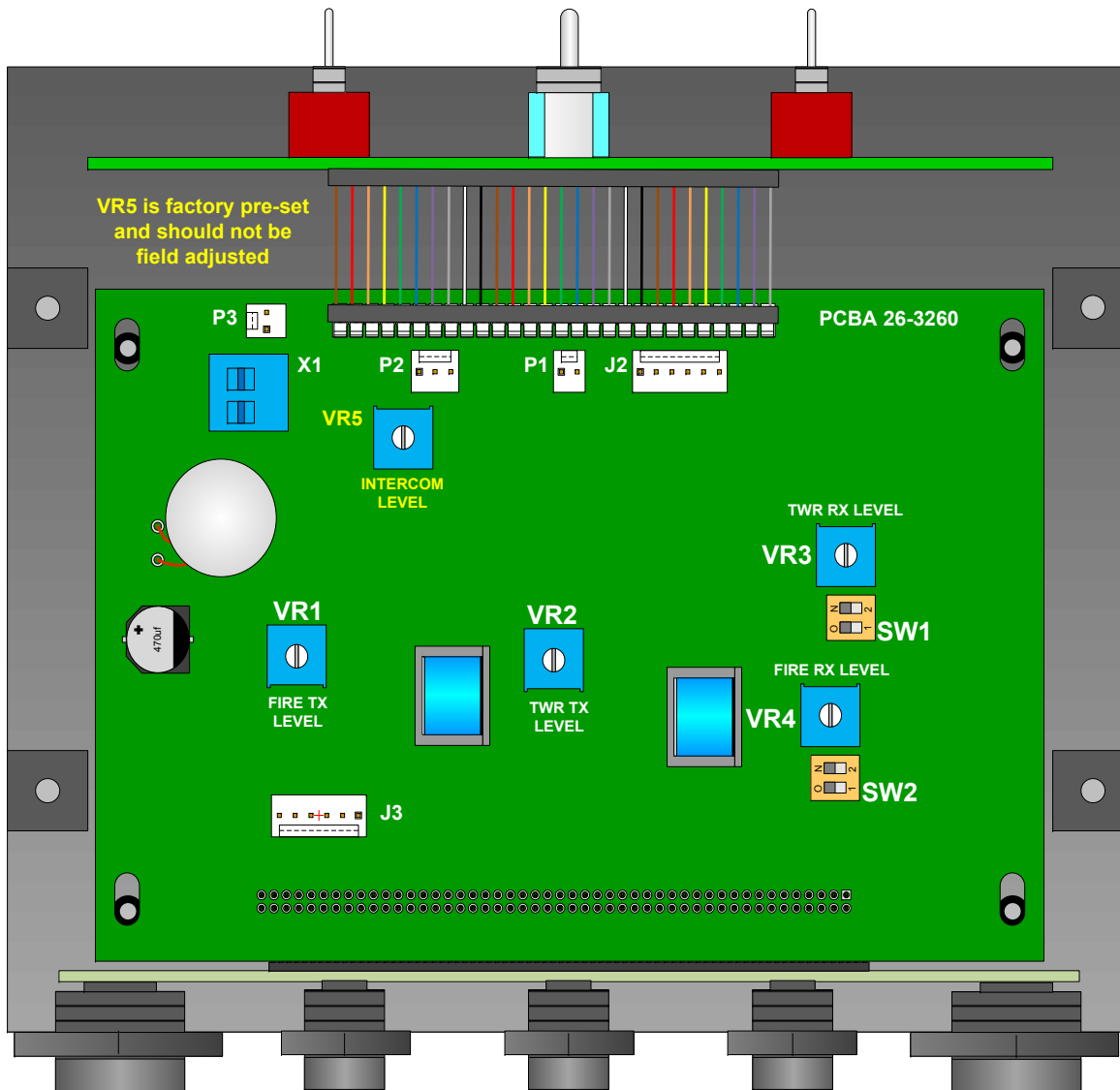
To set up the system, set the MS-1350 front panel Fire and Tower volume controls to 50% of maximum, then set the volume control on each radio (when receiving) for an acceptable volume level in the headset speakers.

In some cases, such as a system that also has external cabin speakers, it may be necessary to adjust the audio gain.

To do this, first set the radio volume control for the desired volume in the external speakers, and set the MS-1350 front panel volume controls for 50% of maximum. Next adjust VR3 (Tower) or VR4 (Fire) for an acceptable volume in the headset speakers.

If needed, further control range can be obtained by changing the settings of switches SW1 and SW2 to increase or decrease gain of the RX audio circuits.

The chart below shows the possible settings for SW1 and SW2:



VR1 and VR2 adjust the TX Audio levels sent to the radios for transmit. They are pre-set at the factory for the radios specified on the customer order.

If the levels need to be adjusted, contact Setcom Tech Support.

**Loosen cover screws and remove cover to make adjustments**

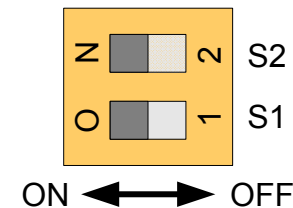
Questions or technical issues? Please call:

**TECH SUPPORT: 650-965-8020 ext. 703**



3019 Alvin DeVane Blvd.  
Ste. 560  
Austin, TX 78741  
Phone: (650) 965-8020

RX GAIN MODE  
SW1 and SW2  
(shown enlarged)



GAIN MODE	SWITCH POSITION	
	S1	S2
NORMAL	OFF	OFF
+10 dB	ON	OFF
+4 dB	ON	ON
-10 dB	OFF	ON

NORMAL is the default setting as supplied by Setcom (as shown at left)