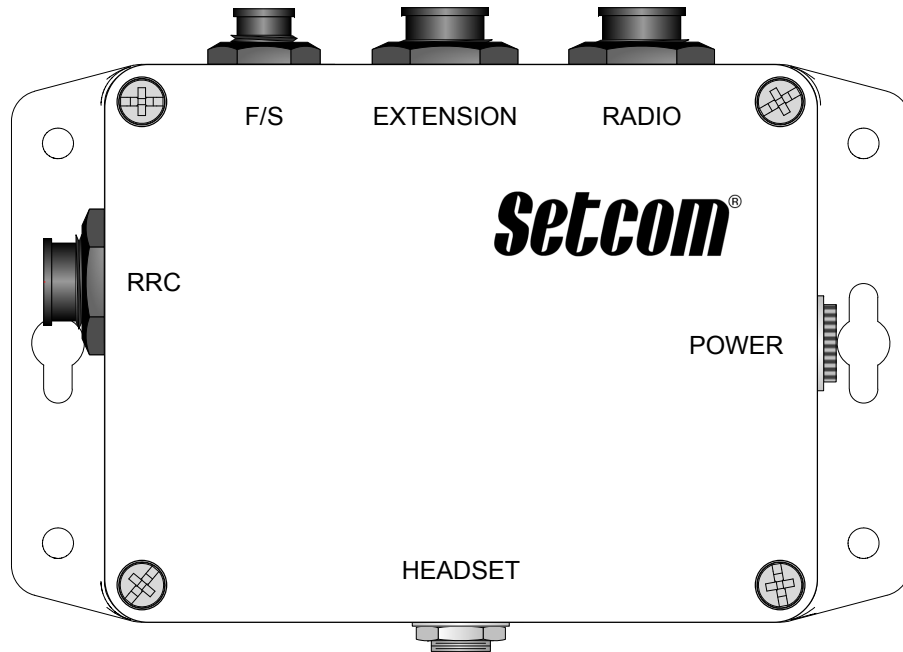


MS-900SP

INSTALLATION AND USERS GUIDE



Questions or technical issues? Please call:

TECH SUPPORT: 650-965-8020 ext. 703

Setcom[®]
CORPORATION

3019 Alvin DeVane Blvd.
Ste. 560
Austin, TX 78741
Phone: (650) 965-8020

The MS-900SP is a Single-Person Radio Interface designed for vehicular or desktop use.

A single 900-series headset can be connected to the HEADSET jack, or can be used remotely by connecting an extension station into the EXTENSION port.

A footswitch (FS-950) or a pushbutton station (PBS-950) can be added to allow hands-free transmit operation.

The MS-900SP is typically connected to a single mobile radio through use of the proper radio cable.

Adding an RRC-950 Radio Routing Controller and 25-0108 connecting cable will allow operation with two radios. One radio cable will be required for each radio. The RRC-950 has a toggle switch that allows for switching TX, RX, and PTT functions between the two radios (RX can be either summed or switched).

The MS-900SP can be powered from 12 to 24 VDC, either supplied by a vehicle power system (using a Setcom 25-1004 Power Cable), or by using a small AC-to-DC power supply (Setcom 26-5007). The unit has an internal 1 Amp ATO-type fuse, but it is recommended that a vehicle power source also be fused (at least 1 A).

MS-900SP Typical Installation



PS-900EMS-xx Extension Station
(xx = cable length) or similar station



FS-950 PTT Footswitch
(pushbutton PTT switch
Option is available)

If 2 radios are required, a Setcom RRC-950 can be connected to the RRC Jack. Refer to the RRC-950 User Guide for more information.

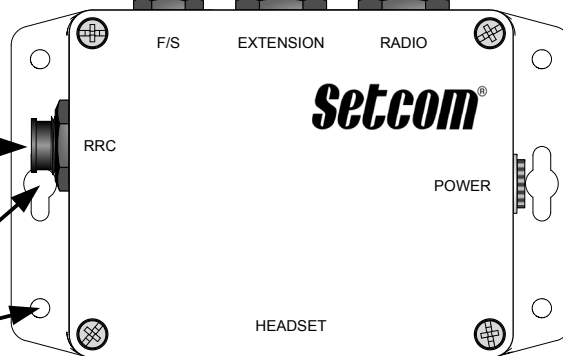
Mount the MS-900SP using the 4 small mounting holes or the 2 larger holes on the enclosure flanges. Mounting screws supplied by user.

Questions or technical issues? Please call:

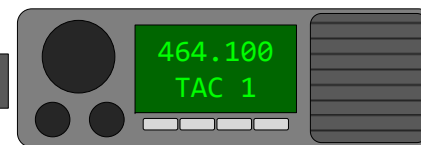
TECH SUPPORT: 650-965-8020 ext. 703

Setcom[®]
CORPORATION

3019 Alvin DeVane Blvd.
Ste. 560
Austin, TX 78741
Phone: (650) 965-8020



RC or RCB
Radio Cable



Mobile Radio

Radio Cable part number is determined by radio manufacturer, model number, and length of cable

See Page 1 for more information
on powering the MS-900SP

25-1004
Power Cable

Connect Cable to Power
Source, 12 to 24 VDC
RED = +V
BLACK = GND

Only 1 headset can be plugged
in at any time, connected to
either the HEADSET jack or the
jack on an Extension Station.

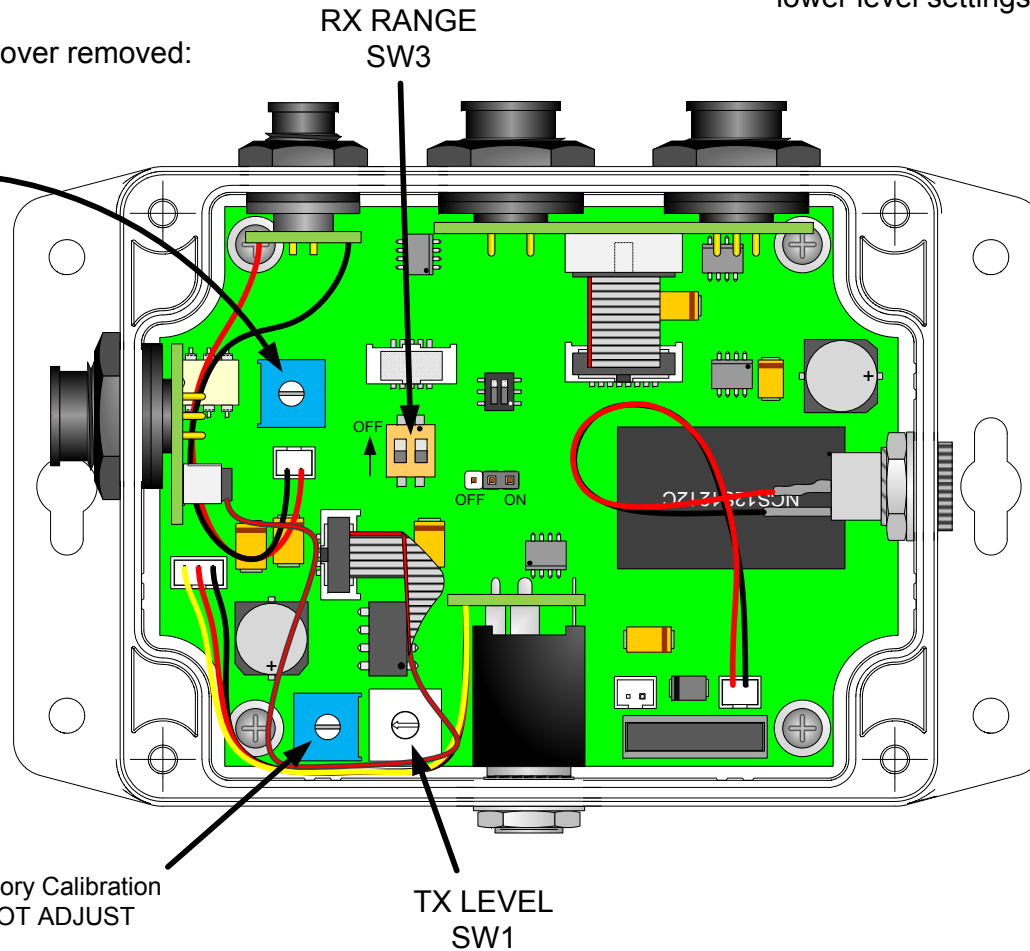
CSB-900x TX Headset
(or similar TX Headset
with TRS plug)



MS-900SP Controls and Adjustments

If RX LEVEL control VR2 does not provide enough adjustment range, the RX RANGE switch SW3 can be set to allow higher or lower level settings.

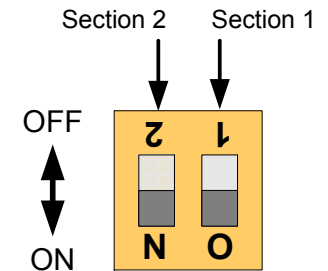
MS-900SP shown with top cover removed:



RX Audio level is normally set by the volume control on the mobile radio.

If further adjustment is needed, RX LEVEL control VR2 can be used to adjust RX volume.

RX RANGE SW3 (shown enlarged)



- To increase RX Level, set section 1 to ON
- To decrease RX level, set section 2 to ON
- Do not set both sections to ON, use only one section or the other

For Factory Calibration
DO NOT ADJUST

TX Audio level is normally factory-preset to the correct level for the radio type specified when the MS-900SP is ordered.

If a different TX level is required the TX LEVEL SW1 can be set from 0 (highest) to F (lowest) to accommodate various radios. Call Setcom Tech Support for assistance if needed.

Questions or technical issues? Please call:

TECH SUPPORT: 650-965-8020 ext. 703



3019 Alvin DeVane Blvd.
Ste. 560
Austin, TX 78741
Phone: (650) 965-8020