

### Installation Information

Radio Interface for 25-Pin Accessory Port Connector on the RF Deck

Speaker Audio is obtained through 9-pin Molex accessory connector

For x90 Series Radios the Default Input On Pin 13 Is Data -  
To change to Mic Audio Input, the radio's PCB must be modified as follows:  
Remove R641 & Add R640 (0 ohm jumper)

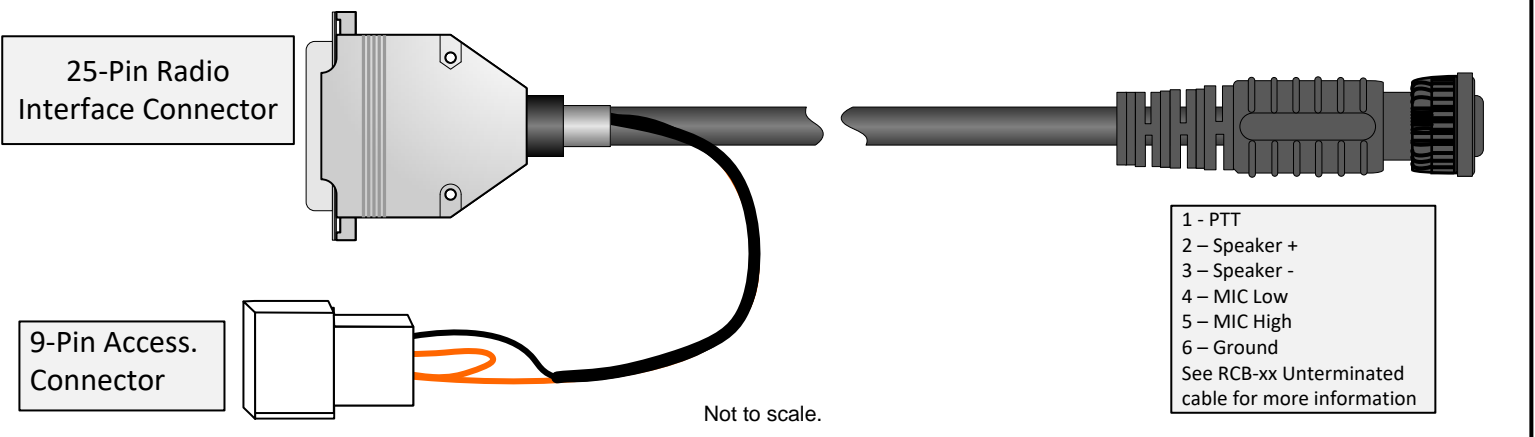
PTT must be assigned to AUX I/O 1, pin 2 of the 25-pin connector

For MAC and MCx cables, the foil print pattern "SB" near  
CN505 of the Control Unit PCB must be shorted to provide Mic Bias Voltage

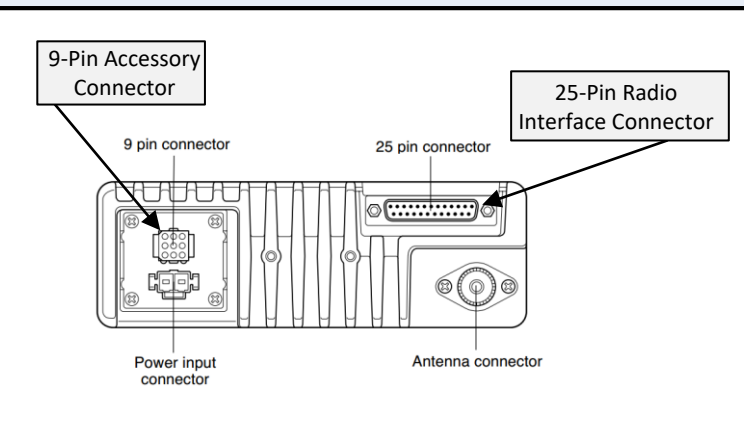
For More Details On These Changes, See Page 20 Of the Kenwood Service  
Manual or Consult an Authorized Kenwood Dealer

If internal speaker is not used, cut Orange jumper from pin 6 to pin 3 and insulate with heat-shrink tubing

### RCB-xxKN Cable



### Rear View TK-690 radio



### Connectors

#### 25 & 9 Pin Connectors

