

Installation Information

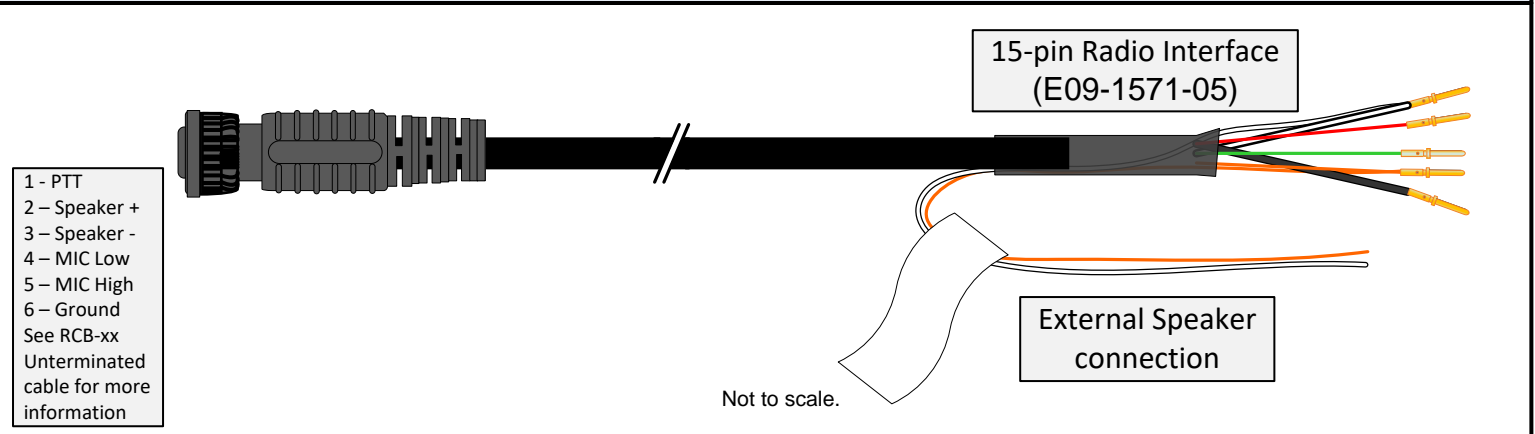
Radio Interface for 15-Pin Accessory Connector on Remote Option Cable - Requires Kenwood Remote Option Cable KCT-19

NOTE: For TK780, 880, and 980, Radio's Default Jumper Settings
For Pins 2 & 5 functions must be changed on the TX/RX Unit PCB:
Remove R12
Add R167 (0 ohm jumper)
Remove R94
Add R24 (0 ohm jumper)

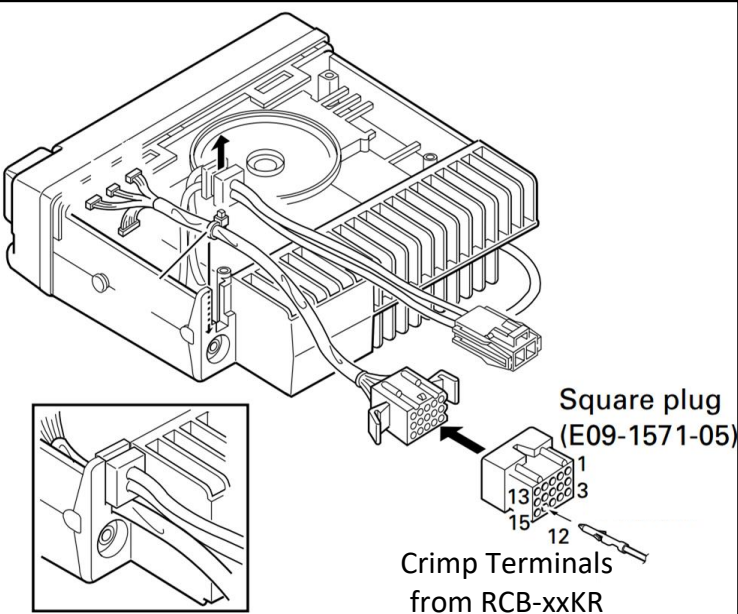
COM PORT 2 in the radio may need to be programmed for "AUXHook/PTT", consult the service manual or programming instruction guide regarding radio specifics.

Please Call Setcom or Consult an Authorized Kenwood Radio Dealer for More Information
If an external speaker is not required, insulate external speaker wires with heat-shrink tubing.

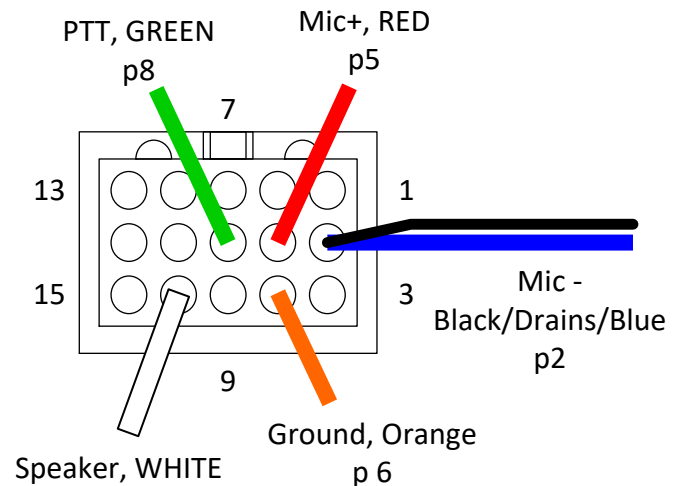
RCB-xxKR Cable



Rear View TK-760 radio



Kenwood KCT-19 Connector Rear View (E09-1571-05)



NOTE: Requires KCT-19 Option Cable from Kenwood