

## Installation Information

Radio Interface for 25-Pin Accessory Port Connector on the RF Deck,  
Speaker Audio from 6-pin connector on RF Deck

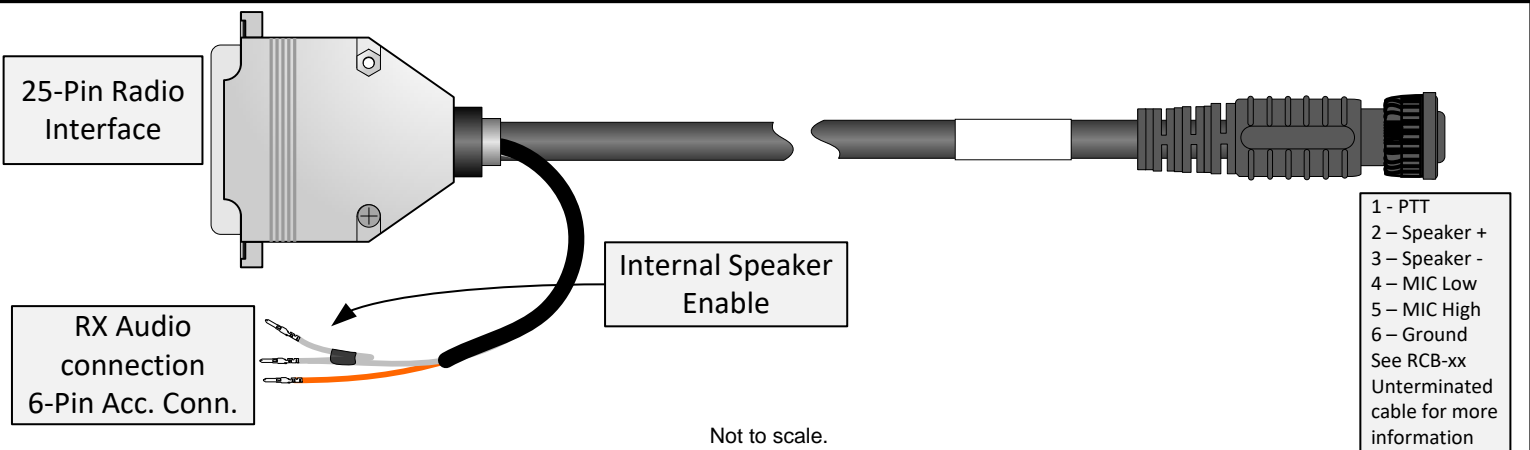
Pin-21 (Aux-1) of the 25-Pin accessory connector needs to be programmed for PTT.

Radio uses different paths for Data and Mic-Hi input so no modification is needed.

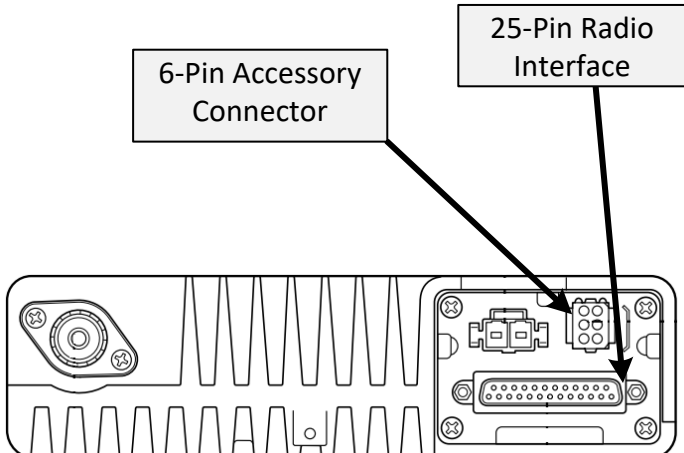
Handmic called out in the Service Manual is a T91-0621-15. This is an early number for the KMC-35. The radio ships with a KMC-35 and the Hot-Mic-Mod for this handmic is required.

To enable the internal speaker insert the second white wire in hole 6.  
If the internal speaker is not required, insulate the extra wire with heat-shrink tubing.

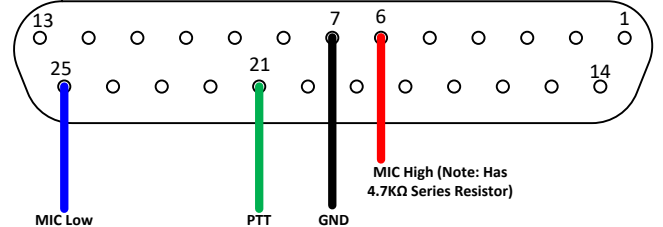
## RCB-xxKS Cable



### Rear View TK-7150 radio



### 25-Pin Radio Interface Rear View



### 6-Pin Accessory Connector Rear View (E37-1031-05)

