

Installation Information

This system requires the radio to be programmed as follows:

(Refers to the 25-pin Accessory Connector on Radio)

"Extended Function" dialog box, "AUX" & "Modulation Line" tabs in programming software:

- PTT: assigned to Pin 12, "AUXI/O7/BER_DATA" - Software assignment AUX - DB-25 12pin "Input" "External PTT (Voice)"
- MIC IN: Pin 6, "MI2" - Software assignment, Modulation Line - External PTT (Voice) MI2 Line "Connect"

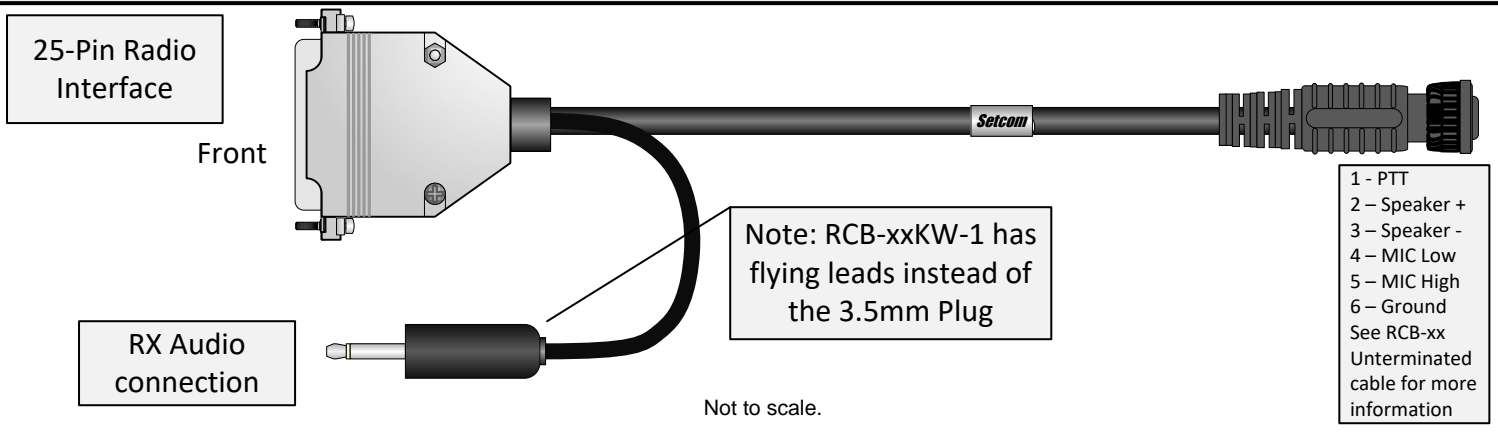
Interface for DB25 Accessory Connector on RF Deck, Uses 3.5mm speaker jack for RX audio.

Note: RCB-xxKW-1 has flying leads instead of the 3.5mm Plug.
Example: NX-5700 High Power Radios do not have a 3.5mm jack for Rx, therefore you would use the KW-1.

Other Notes:

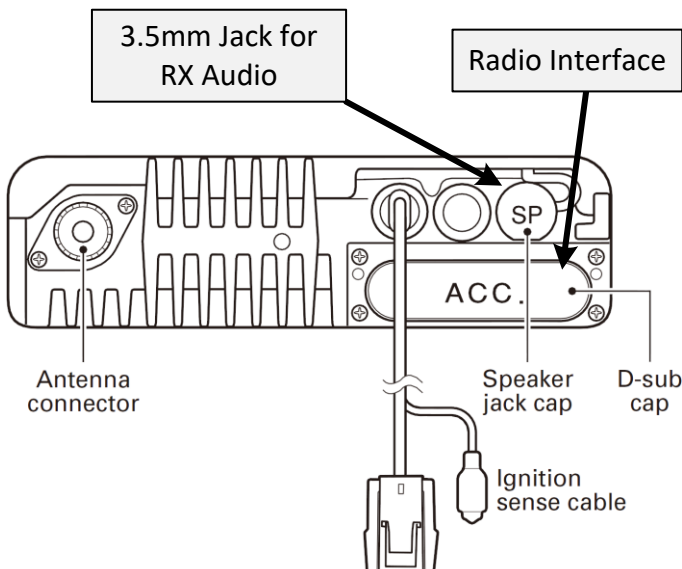
The KO Cable should be used if Interfacing Dual VM7000 RF decks into an intercom system by using the Kenwood KCT-72 and a single control head such as the KCH-20R, PTT, Mic in and Audio can be accessed for both RF decks.

RCB-xxKW Cable



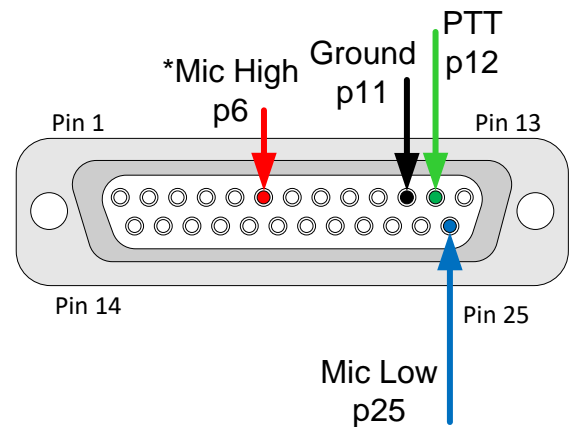
Rear View

TK-NX700 radio



25-Pin Accessory Connector

Front View



* Note: The MIC High line has an inline 1/4W 5% 4.7KΩ Resistor

3.5mm Plug

